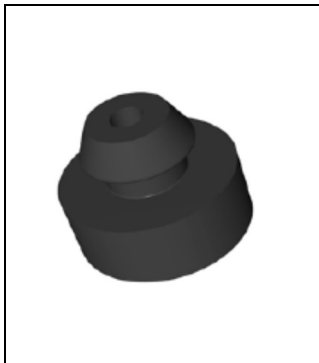


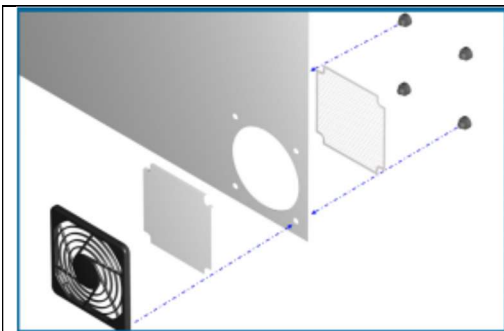
MOUNTING BUMPER

Series: UME

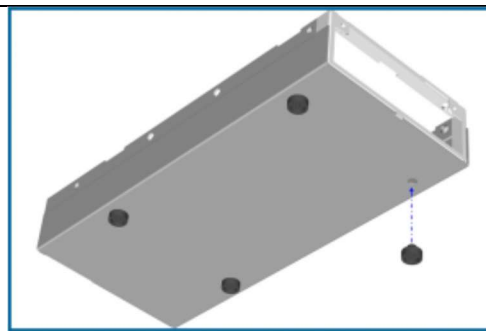


- Material: TPE (Thermoplastic elastomer)
- Colour: black
- Hardness: approx. 65 Shore A
- Temperature Rating: -40°C to +100°C.
- Flammability Rating: UL 94-V-0
- Other sizes available upon request.

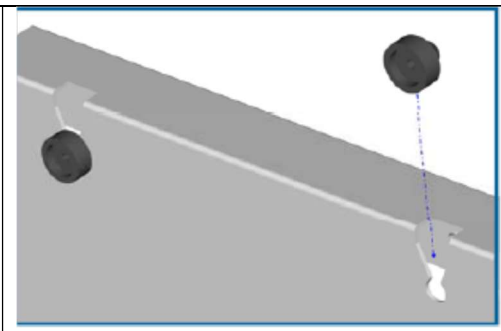
Application examples



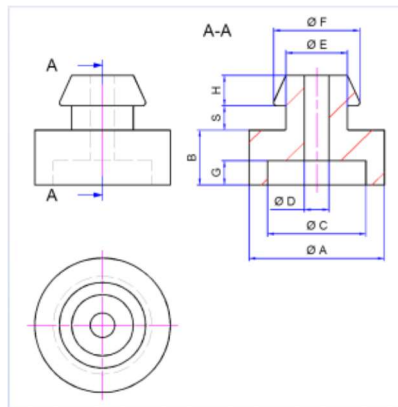
Part of fan sleeve assembly.



Pegs for housing boxes.



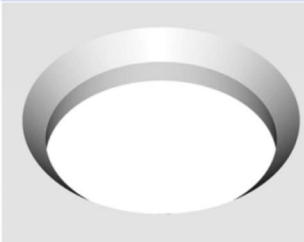
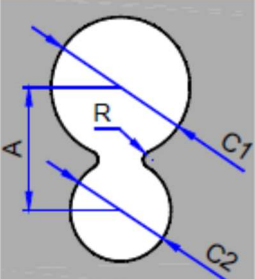
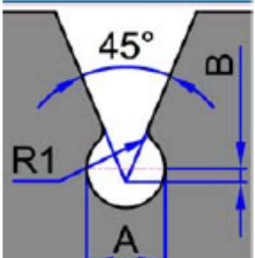
Stop buffer for an enclosure.



UME	110	45	10 or 20
Series	Diameter (11mm)	Height (4.5mm)	Panel thickness: 10 = 0.75 ~ 1.25 20 = 1.50 ~ 2.50

Part Number	A	B	C	D	E	F	G	H	S	Panel thickness
UME-110-45-10	11.0	4.5	8.0	2.0	5.0	7.0	2.0	2.5	1.0	0.75 ~ 1.25
UME-110-45-0	11.0	4.5	8.0	2.0	5.0	7.0	2.0	2.5	2.0	1.50 ~ 2.50

Mounting options

	<p>Mounting bumpers can be fixed easily by plugging the peg into a slightly chamfered hole (5.2mm diameter) in the mounting panel.</p>								
	<p>Alternatively, you can plug the peg into an 8-shape perforation, by first plugging it into the large hole of the mounting panel and then pushing it into the smaller hole.</p> <table border="1" data-bbox="823 573 1131 651"> <thead> <tr> <th>A</th> <th>C1</th> <th>C2</th> <th>R</th> </tr> </thead> <tbody> <tr> <td>6.5</td> <td>7.5</td> <td>5.2</td> <td>1.0</td> </tr> </tbody> </table>	A	C1	C2	R	6.5	7.5	5.2	1.0
A	C1	C2	R						
6.5	7.5	5.2	1.0						
	<p>The plug-in peg of the mounting bumper can also be pushed into a conical cut-out, until it has been snapped in (see picture).</p> <table border="1" data-bbox="879 864 1075 943"> <thead> <tr> <th>A</th> <th>B</th> </tr> </thead> <tbody> <tr> <td>5.2</td> <td>0.5</td> </tr> </tbody> </table>	A	B	5.2	0.5				
A	B								
5.2	0.5								

Dimensions in mm