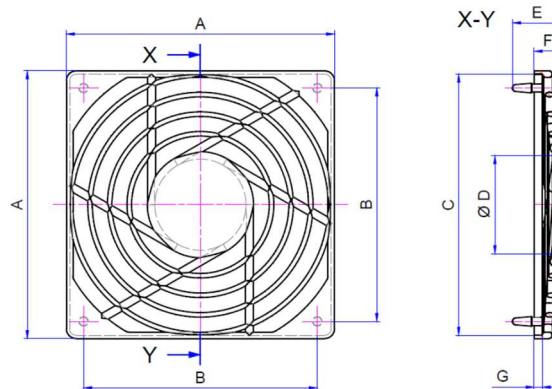


FAN GUARD GRILLS

Series: SG



- For use with LM fan sleeve series only.
- Simply plug into the pegs on the LM sleeves.
- Colour: Black
- Material: Plastic (PA6/PA66)
- Flammability Rating: UL 94-V-2



SG	40	01
Series	Fan size (A)	Type Code

Part Number	A	B	C	D	E	F	G
SG-25-01	27	20	25	10	12.1	7	2
SG-25-02	31	20	25	10	12.1	7	2
SG-30-01	32	24	30	14	12.1	7	2
SG-30-02	36	24	30	14	12.1	7	2
SG-40-01	42	32	40	18	12.6	7.5	2.5
SG-40-02	46	32	40	18	12.6	7.5	2.5
SG-50-01-B40	52	40	50	24	13.1	8	2.5
SG-50-01-B42	52	42	50	24	13.1	8	2.5
SG-50-02-B40	56	40	50	24	13.1	8	2.5
SG-50-02-B42	56	42	50	24	13.1	8	2.2
SG-60-01	62	50	60	27	15.1	8.5	2.5
SG-60-02	66	50	60	27	15.1	8.5	2.5
SG-80-01	82	71.5	80	30	15.1	8.5	2.5
SG-80-02	89	71.5	80	30	15.1	8.5	2.5
SG-92-01	94	82.5	92	30	15.1	8.5	2.5
SG-92-02	101	82.5	92	30	15.1	8.5	2.5
SG-119-01	121	105	119	42	16.6	9.0	3.0
SG-119-02	128	105	119	42	16.6	9.0	3.0

All Dimensions in mm