



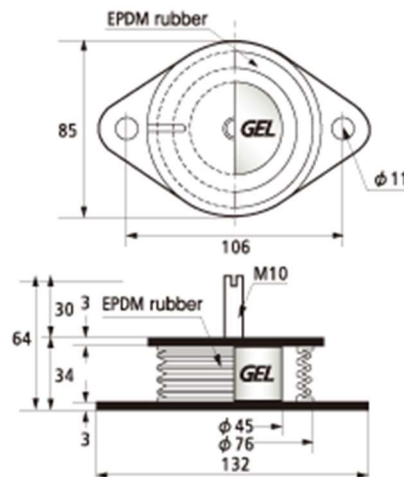
SF-30 / SF-50 VIBRATION ISOLATOR



FEATURES

- Eliminates low frequency vibration.
- Good for outdoor use.
- Temperature Range: -20°C up to 90°C.

The SF-30 and SF-50 vibration isolators are suited for applications where a bottom plate is preferable and there is a need for damping heavy load vibration. Good for outdoor use in particular due to reinforced durability.



Item	Optimum Load	Resonance Point	Resonance Magnification	Recommended Frequency
SF-30	100 ~ 140Kg / 4 legs	8 ~ 9Hz	18 ~ 19dB	13Hz~
SF-50	120 ~ 300Kg / 4 legs	10 ~ 15Hz	12 ~ 18dB	15Hz~

NOTES ON USE

- Always use in compression direction and never in shear direction.
- The direction of the slot of the head of the stud is not controlled.
- The height of the isolator may vary as the mount is compressed under load.
- Ensure that the load is evenly distributed and bolt holes are not misaligned.
- Do not twist.

Gelmecc UK

Marcom House, 1-2 Steam Mill Lane, Great Yarmouth, Norfolk, NR31 0HP

Telephone: +44(0) 1493 668622

Email: sales@gelmecc.co.uk Website: www.gelmecc.co.uk