

PLASTIC FAN RIVETS

Series: SN

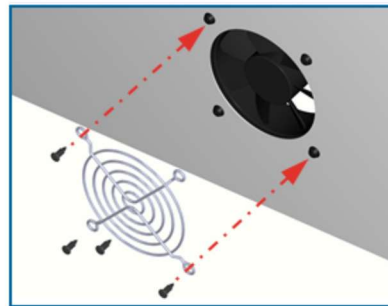
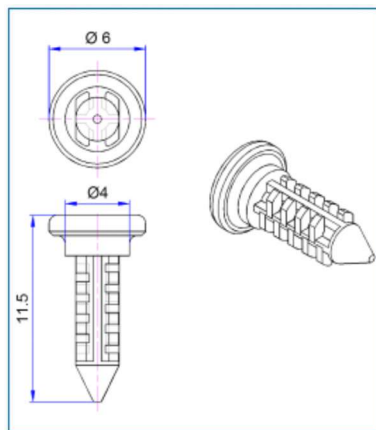
Material: Plastic (PA6/PA66)

Colour: Black

Flammability Rating: UL 94-V-0

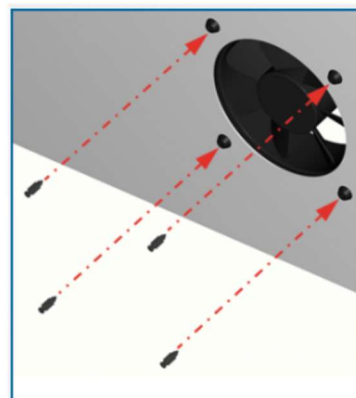
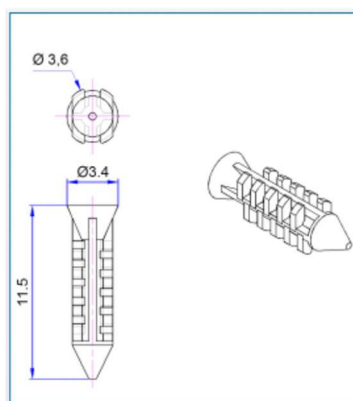
LAMELLAR RIVET / LN-36-01

Fan guard grills can be fixed in place while plugging the fan sleeve pegs into the hole.



SAFETY RIVET / SN-36-01

Can be plugged into the drilled holes of the fan sleeve pegs.



Both LN-36-01 and SN-36-01 can only be used for LM-40 to LM-92.