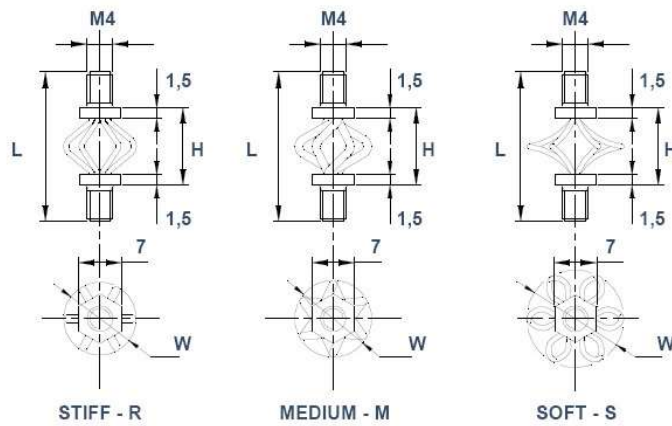


EXTREME ALL METAL MOUNTS

Series: MX2



- Combined shock/vibration isolation from 15-20Hz.
- Weight range: 0.01 to 25kg per mount.
- Exceptional endurance and reliability.
- No aging and excellent resistance to corrosion.
- Temperature Range: -180°C to +150°C.
- Special configurations available (subject to MOQ)



Series
MX2
Cable: Stainless steel
Interfaces: Stainless steel

Model			
Model	Height (H)	Width (W)	Length (L)
-6	6	6	20
-10	8	8	22
-13	10	10	24
-16	11	12	25

Stiffness	
Type	
Soft	S
Medium	M
Stiff	R

Example: MX2-16S

M	X	2	-	1	6	S
---	---	---	---	---	---	---

Prefix/Series

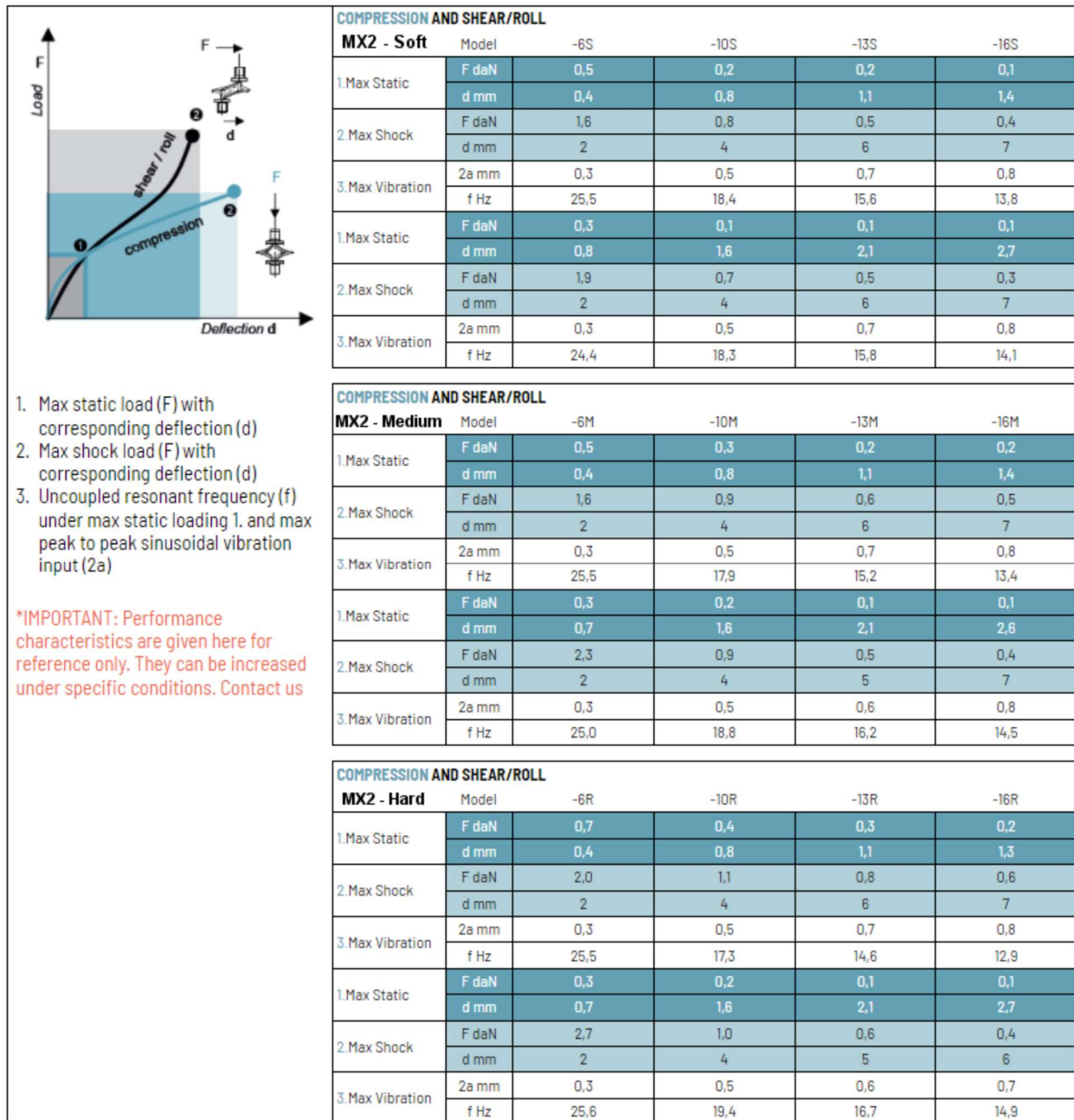
Model: -16

Suffix: S (Soft)

Height: 11mm

Width: 13mm

Length: 25mm



Typical Shock/Vibration Specifications:

Air: AIR7306, MIL-E-5400, MIL-C-172, MIL-STD-810

Ground Forces: GAM EG13A, SEFT 001, MIL-STD-810, VG 9533

Marine: GAM EG13C, IT25-21/96-31/15-86, MIL-S-167, MIL-S-901, STANAG 042, BV 043.73, BV 044

Others: GAM EMB1, GAM EMBT4, DEF STAN 07-55, IEC 571, FINABEL 2C