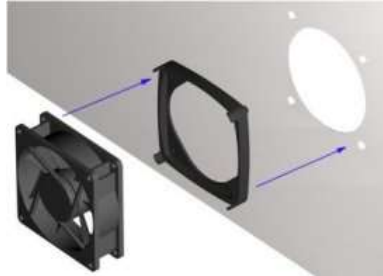




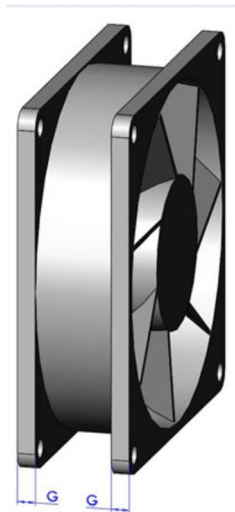
FAN SLEEVES WITH PLUG IN PEGS / LM SERIES



FEATURES

- With moulded plug-in pegs.
- No screws needed.
- Increases lifetime of fans.

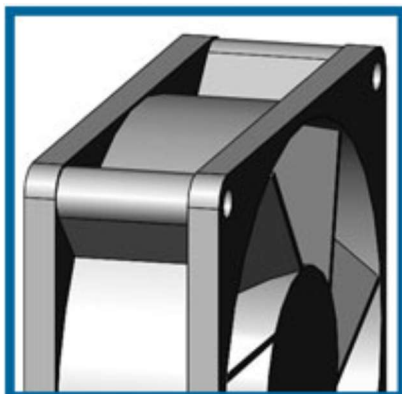
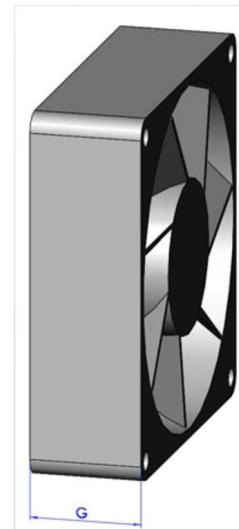
Fan Sleeves eliminate transmission of vibrations from the fan housing & reduces noise (up to 9db). For fast, simple and safe screw less mounting & re-mounting of fans. Sleeves protect the fan against vibrations and thus increased lifetime. Suited for new (uninstalled) builds and is the fastest method to mount and dismount axial fans.



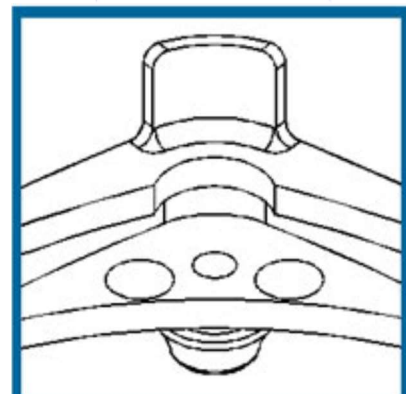
To determine part number, you need to determine the fan size (dimension B), the flange thickness (dimension G) and also the panel thickness.

Small fans do not have an extra flange (see picture on the right). In this case the flange means the height of the fan.

Part numbers marked* dimension G determines height of the fan.



For rip type fans you need -F profile (free edges)
e.g. LM-80-40-10-F.



Gelmecc UK

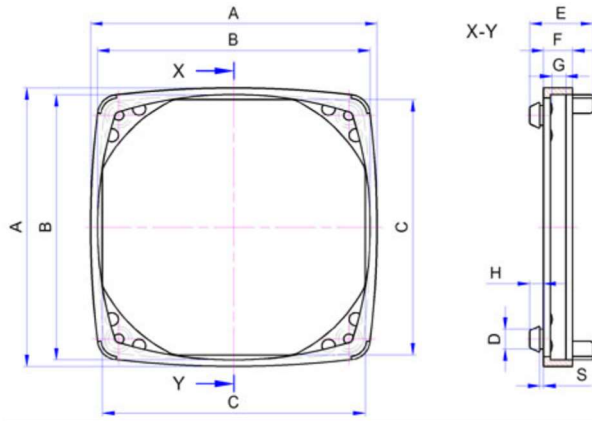
Marcom House, 1-2 Steam Mill Lane, Great Yarmouth, Norfolk, NR31 0HP

Telephone: +44(0) 1493 668622

Email: sales@gelmecc.co.uk Website: www.gelmecc.co.uk



FAN SLEEVES WITH PLUG IN PEGS / LM SERIES



Ordering Information	LM / SLM	40	20	10 or 20	F
	Standard Type / Plug Type	Fan Size Dimension B	Fan Flange Thickness Size. Dimension G	10 = for plate thickness from 0.75 – 1.25 mm 20 = for plate thickness from 1.50 – 2.50 mm	Type F = with free edges

Part No.	A	B	C	D	E	F	G	H	S	Plate Thickness
LM-25-100-10	27	25	24	3.5	20.25	12.25	10	2	1	0.75 – 1.25
LM-25-100-20	27	25	24	3.5	21.25	12.25	10	2	1	1.5 – 2.5
LM-30-100-10	33	30	28	4	22.25	13.25	10	3	1	0.75 – 1.25
LM-30-100-20	33	30	28	4	23.25	13.25	10	4	2	1.5 – 2.5
LM-40-20-10-F	43	40	38	4.5	14.75	5.25	2	3.5	1	0.75 – 1.25
LM-40-20-20-F	43	40	38	4.5	15.75	5.25	2	4.5	2	1.5-2.5
LM-40-40-10-F	43	40	38	4.5	16.75	7.25	4	3.5	1	0.75 – 1.25
LM-40-40-20-F	43	40	38	4.5	17.75	7.25	4	4.5	2	1.5 – 2.5
LM-40-100-10	43	40	38	4.5	22.75	13.25	10	3.5	1	0.75 – 1.25
LM-40-100-20	43	40	38	4.5	23.75	13.25	10	4.5	2	1.5 – 2.5
LM-40-150-10	43	40	38	4.5	27.75	18.25	15	3.5	1	0.75 – 1.25
LM-40-150-20	43	40	38	4.5	28.75	18.25	15	4.5	2	1.5 – 2.5
LM-40-200-10	43	40	38	4.5	32.75	23.25	20	3.5	1	0.75 – 1.25
LM-40-200-20	43	40	38	4.5	33.75	23.25	20	4.5	2	1.5 – 2.5
LM-50-25-10-F (-B40/42)	53	50	48	4.5	15.25	5.75	2.5	3.5	1	0.75 – 1.25
LM-50-25-20-F (-B40/42)	53	50	48	4.5	16.5	5.75	2.5	4.5	2	1.5 – 2.5
LM-50-100-10 (-B40/42)	53	50	48	4.5	22.75	13.25	10	3.5	1	0.75 – 1.25
LM-50-100-20 (-B40/42)	53	50	48	4.5	23.75	13.25	10	4.5	2	1.5 – 2.5
LM-50-150-10 (-B40/42)	53	50	48	4.5	27.75	18.25	15	3.5	1	0.75 – 1.25
LM-50-150-20 (-B40/42)	53	50	48	4.5	28.75	18.25	15	4.5	2	1.5 – 2.5
LM-50-200-10 (-B40/42)	53	50	48	4.5	32.75	23.35	20	3.5	1	0.75 – 1.25
LM-50-200-20 (-B40/42)	53	50	48	4.5	33.75	23.25	20	4.5	2	1.5 – 2.5
LM-60-30-10 (-F)	64	60	58	5	17.5	7.5	3	4.0	1	0.75 – 1.25
LM-60-30-20 (-F)	64	60	58	5	18.5	7.5	3	5.0	2	1.5 – 2.5
LM-60-40-10 (-F)	64	60	58	5	18.5	8.5	4	4.0	1	0.75 – 1.25
LM-60-40-20 (-F)	64	60	58	5	19.5	8.5	5	5.0	2	1.5 – 2.5
LM-80-30-10 (-F)	84	80	77	5.8	17.5	7.5	3	4.0	1	0.75 – 1.25
LM-80-30-20 (-F)	84	80	77	5.7	18.5	7.5	3	5.0	2	1.5 – 2.5
LM-80-40-10 (-F)	84	88	77	5.8	18.5	8.5	4	4.0	1	0.75 – 1.25
LM-80-40-20 (-F)	84	80	77	5.8	19.5	8.5	4	5.0	2	1.5 – 2.5
LM-80-50-10 (-F)	84	80	77	5.8	20.5	9.5	5	4.0	1	0.75 – 1.25
LM-80-50-20 (-F)	84	80	77	5.8	21.5	9.5	5	5.0	2	1.5 – 2.5

Gelmec UK

Marcom House, 1-2 Steam Mill Lane, Great Yarmouth, Norfolk, NR31 0HP

Telephone: +44(0) 1493 668622

Email: sales@gelmec.co.uk Website: www.gelmec.co.uk



FAN SLEEVES WITH PLUG IN PEGS / LM SERIES

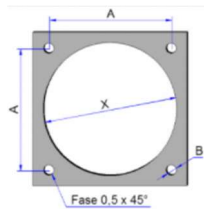
LM-92-40-10 (-F)	97	92	89	6	19.5	9.5	4	4.0	1	0.75 – 1.25
LM-92-40-20 (-F)	97	92	89	6	20.5	9.5	4	5.0	2	1.5 – 2.5
LM-92-50-10 (-F)	97	92	89	6	21.5	10.5	5	4.0	1	0.75 – 1.25
LM-92-50-20 (-F)	97	92	89	6	22.5	10.5	5	5.0	2	1.5 – 2.5
LM-95-60-10 (-F)	97	92	89	6	23.5	11.5	6	4.0	1	0.75 – 1.25
LM-92-60-20 (-F)	97	92	89	6	24.5	11.5	6	5.0	2	1.5 – 2.5
LM-119-40-10 (-F)	125	119	116	8	22	9.5	4	4.5	1	0.75 – 1.25
LM-119-40-20 (-F)	125	119	116	8	23	9.5	4	5.5	2	1.5 – 2.5
LM-119-50-10 (-F)	125	119	116	8	24	10.5	5	4.5	1	0.75 – 1.25
LM-119-50-20 (-F)	125	119	116	8	25	10.5	5	5.5	2	1.5 – 2.5
LM-119-60-10 (-F)	125	119	116	8	26	11.5	6	4.5	1	0.75 – 1.25
LM-119-60-20 (-F)	125	119	116	8	27	11.5	6	5.5	2	1.5 – 2.5

All dimensions mm - Other sleeves / dimensions upon request

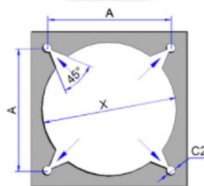
Material Properties

Property	Measurement
Material	TPE (Thermoplastic Elastomer)
Colour	Black
Hardness	65 Shore A
Temperature Range	-40 to +100°C
Flammability Rating	UL 94-V-0

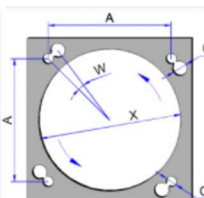
Mounting Styles and hole format



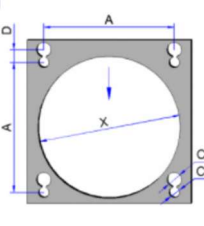
Firstly, pull the sleeve over the flange of the fan, then plug in the four pegs through the drilled holes (B) of the mounting panel and pull them out on the backside. Ensure that the drilled holes are chamfered slightly. It is best to use this format if there are space restrictions. The backside needs to be accessible so that the pegs can be pulled out.



Firstly, pull the sleeve over the flange of the fan. Then plug the four pegs into the larger holes (C1) of the mounting panel and turn them into the smaller holes (C2). This is the most popular format used. However, there must be enough space for installation to enable the fan and fan sleeve to turn. The backside does not need to be accessible.



Pull the sleeve over the flange of the fan. Then plug in the four pegs into the larger holes (C1) of the mounting panel, and then turn them into the smaller holes (C2). There must be enough space for installation to enable the fan and fan sleeve to turn. The backside does not need to be accessible.



Pull the sleeve over the flange of the fan. Then plug in the four pegs into the larger holes (C1) of the mounting panel, and then turn them into the smaller holes (C2). There must be enough space for installation to enable the fan and fan sleeve to be pushed and pulled in one direction. The backside does not need to be accessible.

Gelmecc UK

Marcom House, 1-2 Steam Mill Lane, Great Yarmouth, Norfolk, NR31 0HP

Telephone: +44(0) 1493 668622

Email: sales@gelmecc.co.uk Website: www.gelmecc.co.uk



FAN SLEEVES WITH PLUG IN PEGS / LM SERIES

Recommended Hole Dimensions

Profile	Dimensions						
	A	B	C1	C2	D	R	W
LM-25	20.0	3.8	3.5	4.5	3.5	0.2-0.5	14.5°
LM-30	24.0	4.5	5.5	4.0	5.0	0.5-1.0	16.5°
LM-40	32.0	5.0	6.5	4.5	5.75	0.5-1.0	14.5°
LM-50	40.0/42.0	5.0	6.5	4.5	5.75	0.5-1.0	11.0°
LM-60	50.0	5.5	7.5	5.0	6.5	0.5-1.0	10.5°
LM-80	71.5	6.5	8.0	6.0	7.0	0.5-1.0	8.0°
LM-92	82.5	6.5	8.5	6.0	7.25	0.5-1.0	7.0°
LM-119	105.0	8.5	11.0	8.0	9.5	1.0-2.0	7.0°

Gelmecc UK

Marcom House, 1-2 Steam Mill Lane, Great Yarmouth, Norfolk, NR31 0HP

Telephone: +44(0) 1493 668622

Email: sales@gelmecc.co.uk Website: www.gelmecc.co.uk