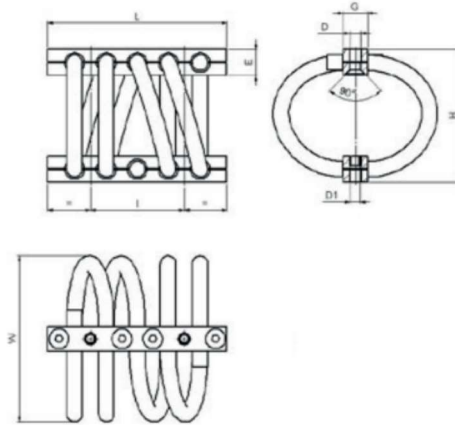


# EXTREME ALL METAL MOUNTS

Series: GHH



- All metal multidirectional vibration/shock mount.
- Multiple mounting points protect the structure.
- High damping performance.
- No aging and excellent resistance to corrosion.
- Temperature Range: -180°C to +150°C.
- Non-magnetic and low residual acceleration.



Example: GHH180-CIM

G	H	H	1	8	0	-	C	I	M
---	---	---	---	---	---	---	---	---	---

Series/Prefix

Model: 180  
height: 159mm  
length: 178mm

Interface: CIM

2 through holes  $\varnothing$  Dmm in upper bar  
2 x M12 inserts in lower bar

Mounting Configuration			
Top bar			
Lower bar	2 x through hole $\varnothing$ D mm	2 x through holes $\varnothing$ Dmm countersunk 90°	2 x inserts M D1
2 through holes $\varnothing$ Dmm	No suffix	Not standard	Not standard
2 through holes $\varnothing$ D mm countersunk 90°	CM	CM2	Not standard
2 x inserts M D1	IM	CIM	IM2

Model	H	W	L	I	E	G	D/D1	Weight (kg)
GHH020	124	143	120	63	16.5	20	8.5/8	0.8
GHH045	124	146	120	63	16.5	20	8.5/8	1.0
GHH070	137	156	156	83.3	20.5	25	8.5/8	1.4
GHH110	160	200	218	114.3	31.5	30	13.5/12	3.5
GHH180	159	178	218	114.3	38	40	13.5/12	4.5
GHH320	159	178	218	114.3	38	40	13.5/12	4.7
GHH400	159	178	218	114.3	38	40	13.5/12	5
GHH450	216	245	314	164	52.5	50	20/18	12
GHH800	216	251	314	164	52.5	50	20/18	14

Dimensions in mm

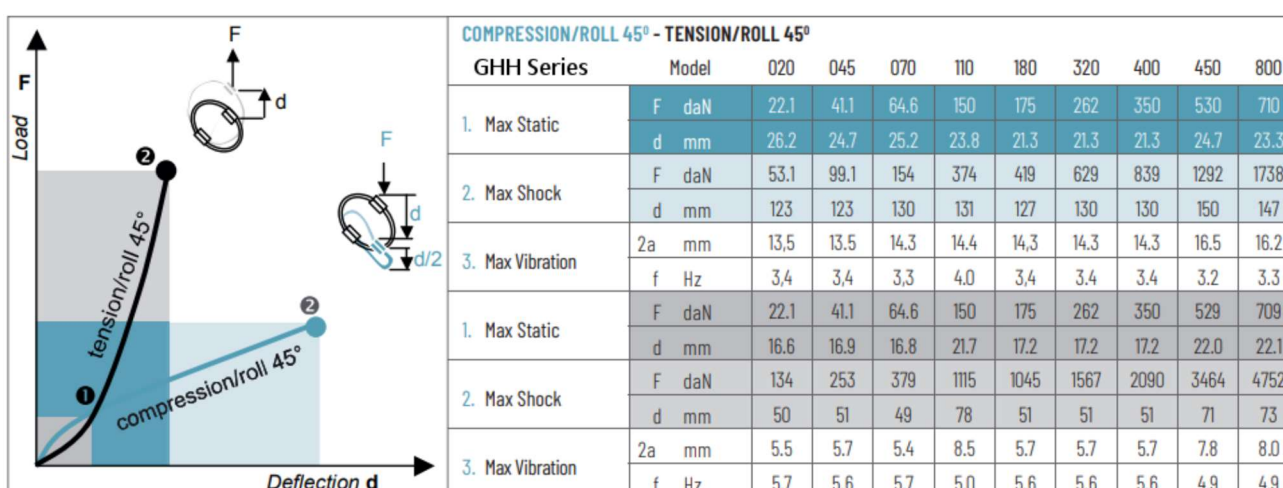
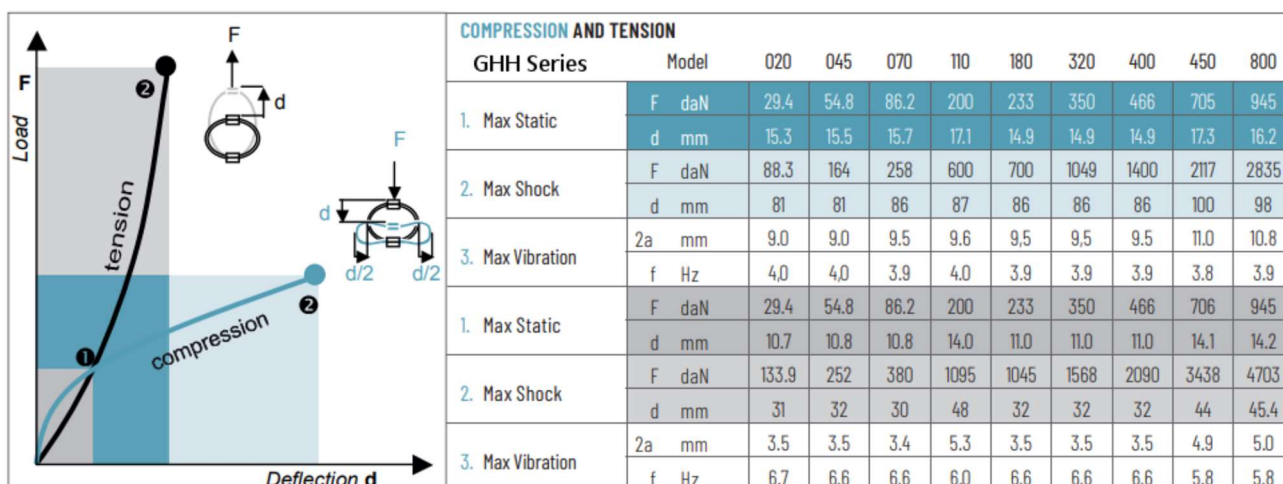
### Materials

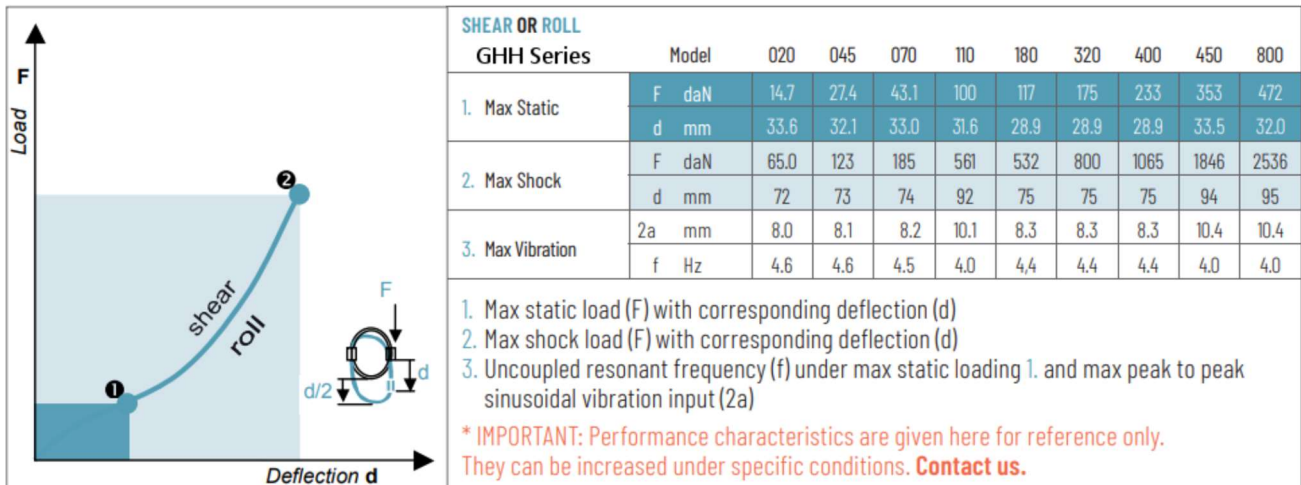
Cable: stainless steel AISI 316

Retainer bars: aluminium alloy/SurTec (bar 2 in AISI 316 ZS, both bars ZSS)

Screws/inserts: alloy steel, zinc plate

Other materials available upon request





**Typical Shock/Vibration Specifications:**

Air: AIR7306, MIL-E-5400, MIL-C-172, MIL-STD-810

Ground Forces: GAM EG13A, SEFT 001, MIL-STD-810, VG 95332

Marine: GAM EG13C, IT25-21/96-31/15-86, MIL-S-167, MIL-S-901, STANAG 042, BV 043.73, BV 044

Others: GAM EMB1, GAM EMBT4, DEF STAN 07-55, IEC 571, FINABEL 2C