

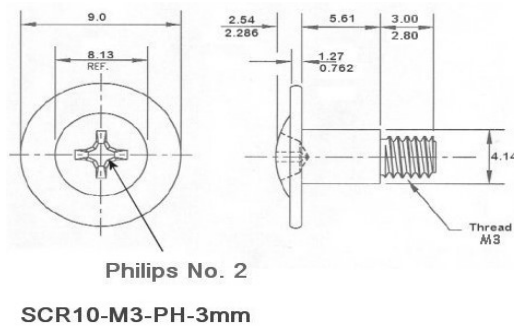
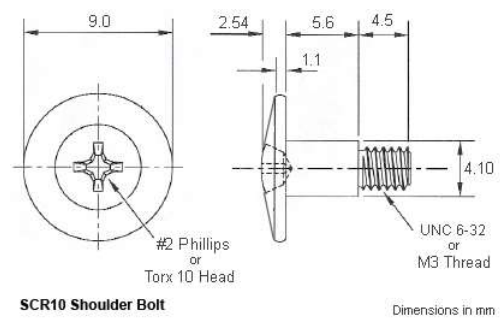
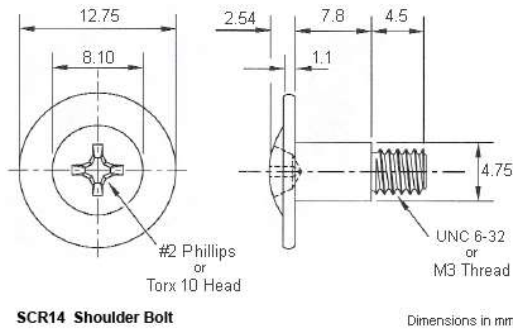


GROMMET MOUNTING ACCESSORIES



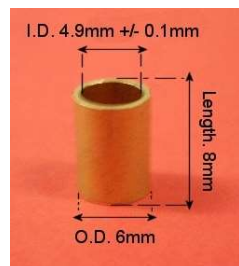
FEATURES

- Choice of TORX or Phillips head and UNC or metric head.
- Brass collar insert available.



| Part Number | Compatible Bush/Grommet | M4 Insert required? |
|-----------------|-------------------------|---------------------|
| SCR10-UNC-TX | GVD-10xx | no |
| SCR10-M3-PH-3MM | GVD-10xx | no |
| SCR14-UNC-PH | GVD-14xx/VB1209-xx | yes |
| SCR14-M3-TX | GVD-14xx/VB1209-xx | yes |

M4 Insert



Gelmecc UK

Marcom House, 1-2 Steam Mill Lane, Great Yarmouth, Norfolk, NR31 0HP

Telephone: +44(0) 1493 668622

Email: sales@gelmecc.co.uk Website: www.gelmecc.co.uk