

WIRELESS CHARGING COIL – WCC-3830-8

STANDARD ELECTRICAL SPECIFICATION

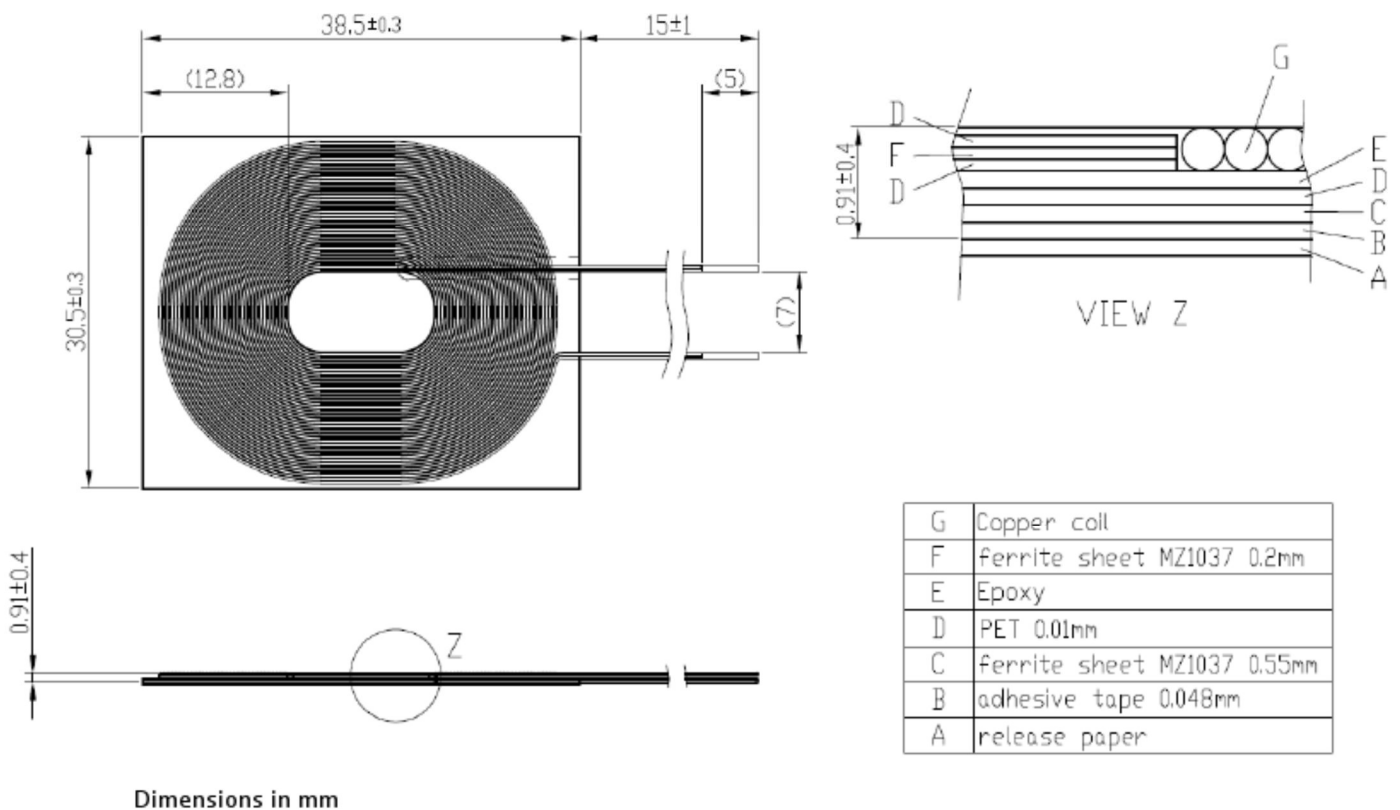
LS Inductance @125KHz 1V (μH)	DCR @ 25°C (Ω)	Operating Temp (°C)	Storage Temp (°C)
17 ±10%	<0.43	-30 ~ 70	-40 ~ 85

Service resistivity is the value from the surface of the PET film.

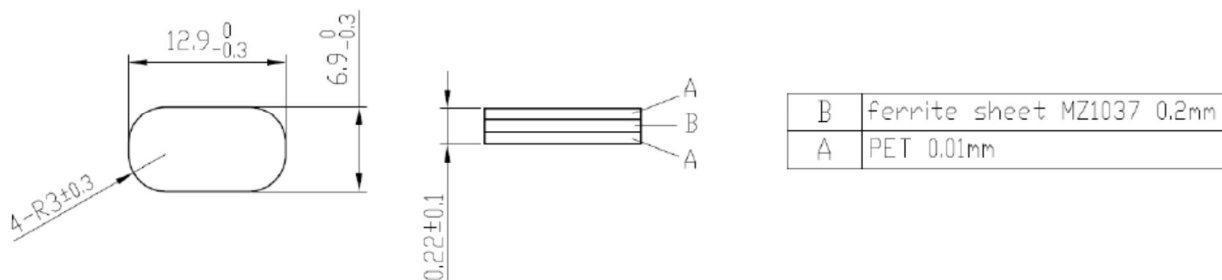
Testing method:

1. Measured with HP 4285A LCR meter
2. Measured from surface of PET film by Agilent 4339B high resistance meter.

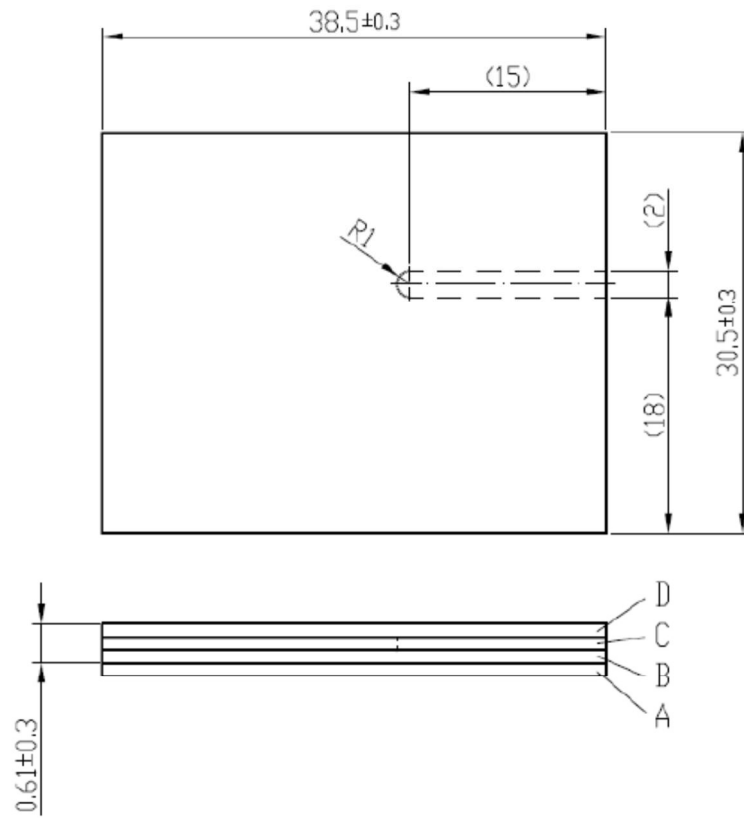
wireless charging Combination



Ferrite Sheet Structure



Ferrite Sheet Structure



D	PET 0.01mm
C	ferrite sheet MZ1037 0.55mm
B	adhesive tape 0.048mm
A	release paper