

## WIRELESS CHARGING COIL – WCC-2814-5

### STANDARD ELECTRICAL SPECIFICATION

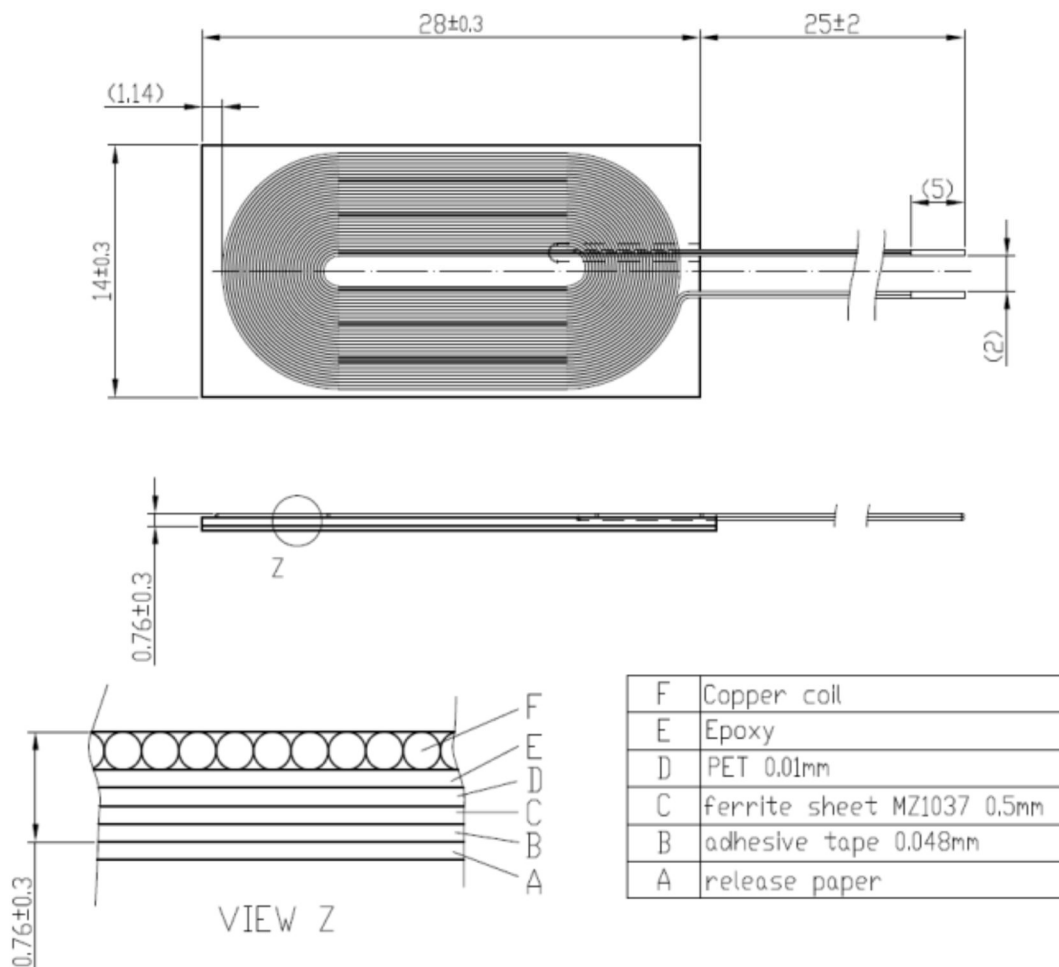
LS Inductance @125KHz 1V (μH)	DCR @ 25°C (Ω)	Operating Temp (°C)	Storage Temp (°C)
6.2 ±10%	<0.35	-30 ~ 70	-40 ~ 85

Service resistivity is the value from the surface of the PET film.

Testing method:

1. Measured with HP 4285A LCR meter
2. Measured from surface of PET film by Agilent 4339B high resistance meter.

### wireless charging Combination



## Ferrite Sheet Structure

