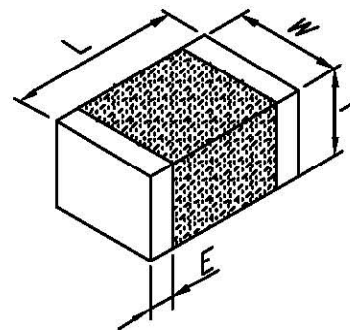


MFB-201209-0011PW

ELECTRICAL CHARACTERISTICS:

	Z @ 100MHz (Ohms)	DCR (Ohms)	Rated Current
Nominal	11		
Minimum	8.25		
Maximum	13.75	0.015	6000mA



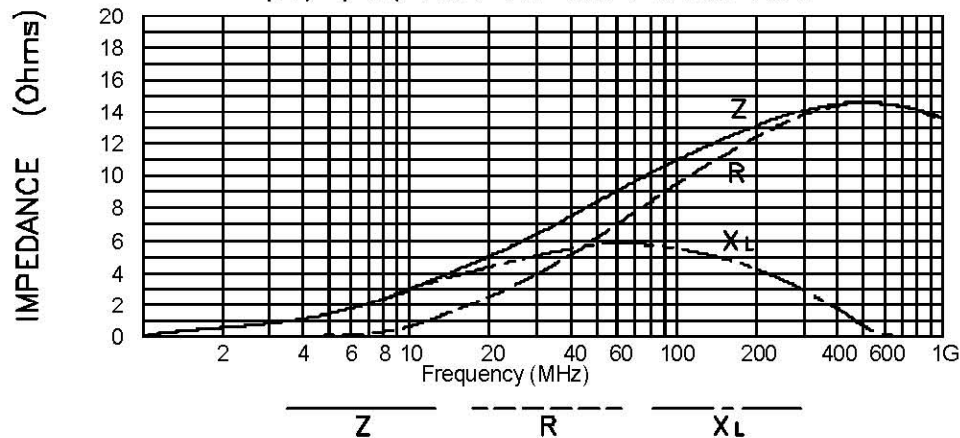
PHYSICAL DIMENSIONS:

L	2.00(0.079) ±0.200(0.008)
W	1.25(0.049) ±0.200(0.008)
T	0.90(0.035) ±0.200(0.008)
E	0.50(0.020) ±0.300(0.012)

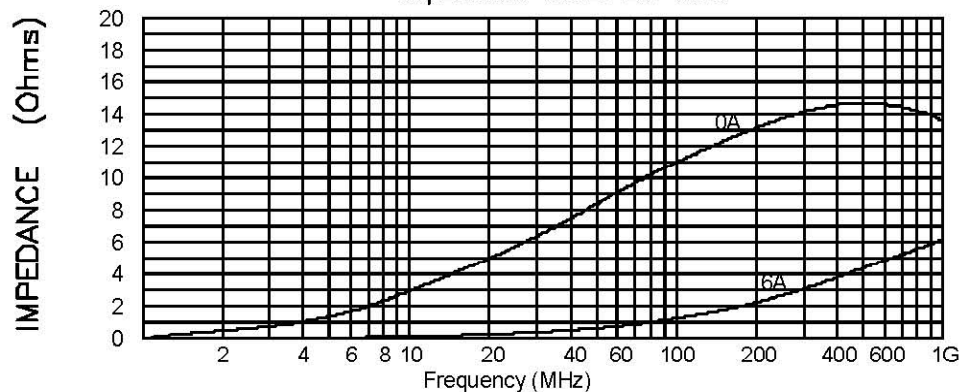
NOTES: UNLESS OTHERWISE SPECIFIED

- All edges and corners must be rounded.
- Dimensions are in millimeters (inches)
- Taped and Reeled per current EIA specification.

|Z| , R, AND X_L vs. FREQUENCY

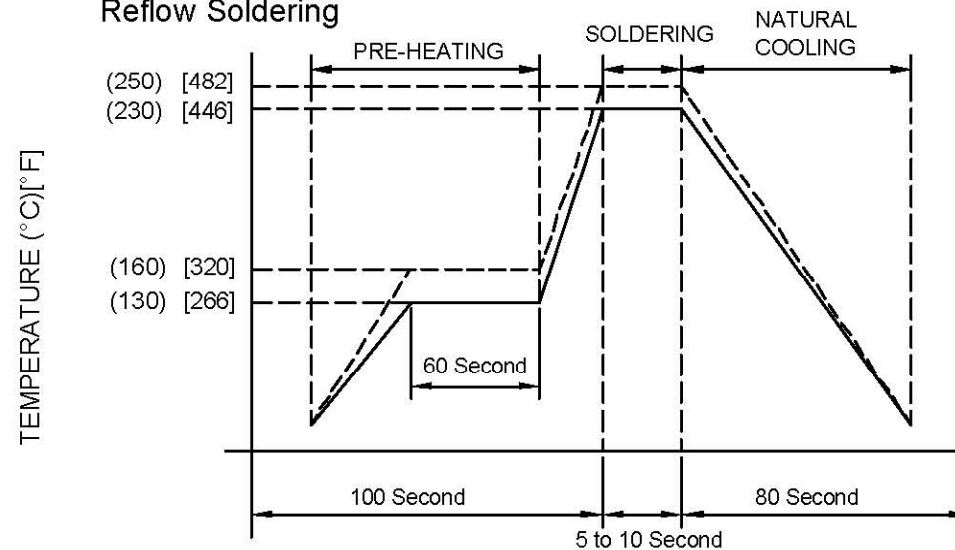


Z vs. FREQUENCY
Impedance Under DC Bias



RECOMMENDED SOLDERING CONDITIONS

Reflow Soldering



For Sn/Pb=63/37 solder _____

For lead free solder - - - - -



APPROVER

Helen

DATE

CFM.

2005/5/27