

ON-BOARD SIDE CONTACT

Kitagawa series: OGSC

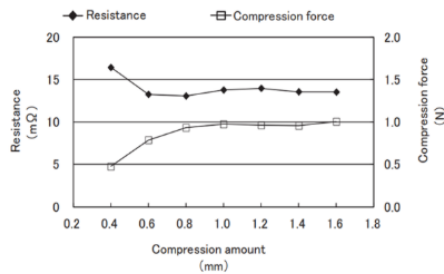
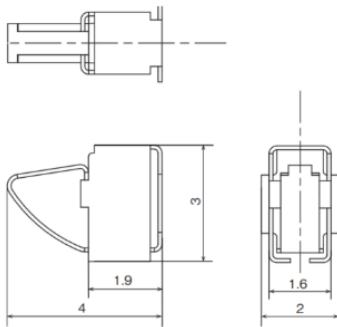


- Ideal for applications where standard grounding between parallel boards/chassis is not possible.
- Component resists deformation even during lateral sliding.
- Reduces load on PCB.
- Temperature Range: -40 to +85°C.

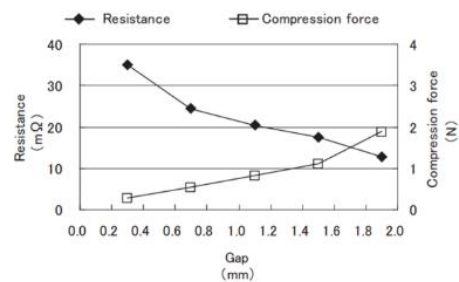
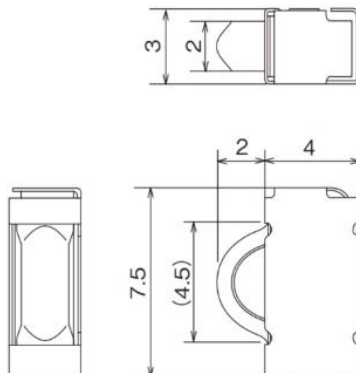


Item	OGSC-402030	OGSC-756030
Length (with spring – mm)	4.0	7.5
Width (mm)	2.0	6.0
Height (mm)	3.0	3.0
Recommended side gap (mm)	0.4 ~ 1.6	Up to 2.0
Base Material	Phosphor Bronze	Phosphor Bronze
Surface Treatment	Sn plating, Cu undercoat	Sn plating
Reel Quantity	5000pcs	2000pcs

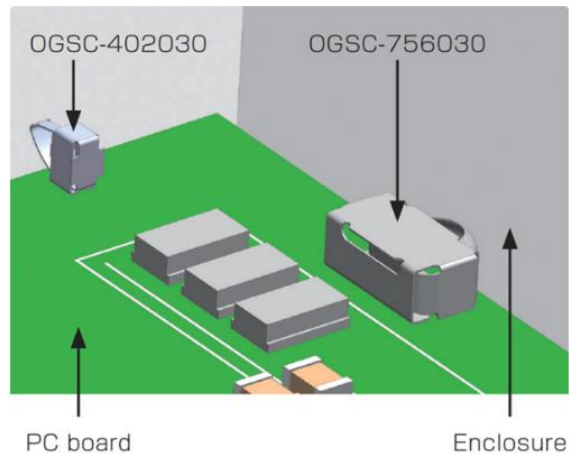
OGSC-402030



OGSC-756030



Application Example



For engineering drawings, 3D files or additional test data please contact our [sales team](#).

ANNOTATION

All specifications shown herein are typical values and are not guaranteed. It is recommended to test in the application for suitability.