

PCB GUIDE RAIL

Kitagawa series: GR



- Resolves PCB insertion and extraction problems.
- Designed for snap mounting insertion.
- Slim profile.

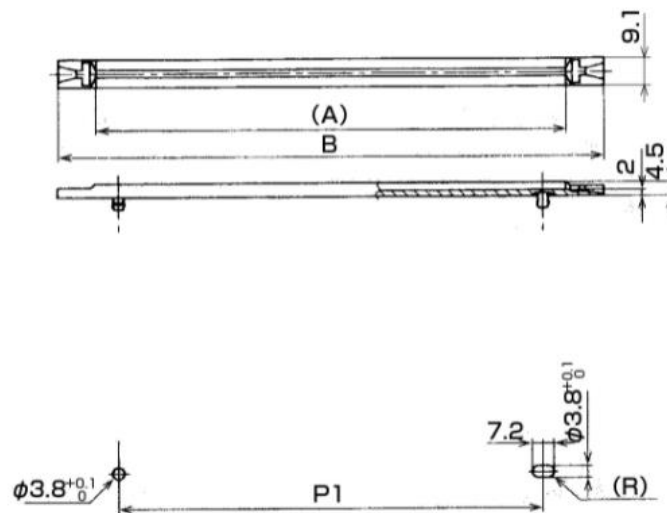


Material: Poly-carbonate (Colour: black)

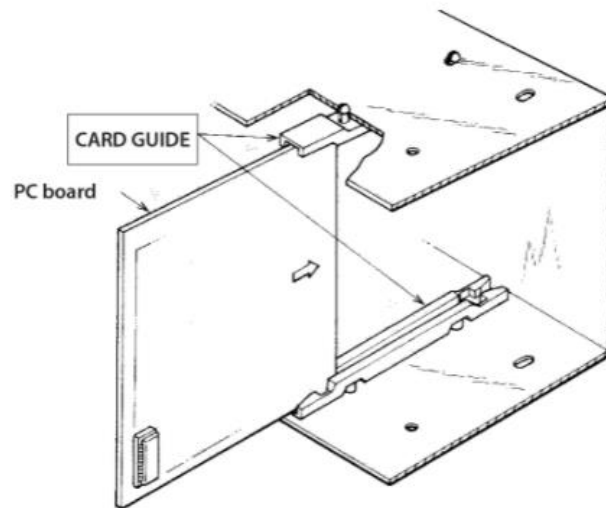
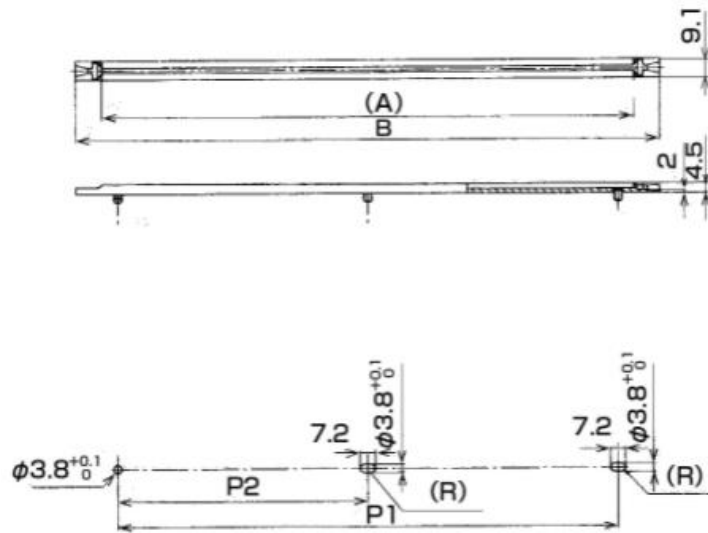
Flammability: UL 94-V-2

All dimensions in mm.

Part Number	(A)	B	Pitch of mounting hole P1	Panel Thickness	Pack Quantity
GR-80S	55	80	40 ± 1	1.6 ± 0.1	100pcs
GR-120S	95	120	80 ± 1	1.6 ± 0.1	100pcs
GR-180S	155	180	140 ± 1	1.6 ± 0.1	100pcs



Part Number	(A)	B	Pitch of mounting hole P1	Pitch of mounting hole P2	Panel Thickness	Pack Quantity
GR-280S	255	280	240 ± 1	120 ± 1	1.6 ± 0.1	100pcs



For engineering drawings, 3D files or additional test data please contact our [sales team](#).

ANNOTATION

All specifications shown herein are typical values and are not guaranteed. It is recommended to test in the application for suitability.