

SMD GROUNDING CONTACT

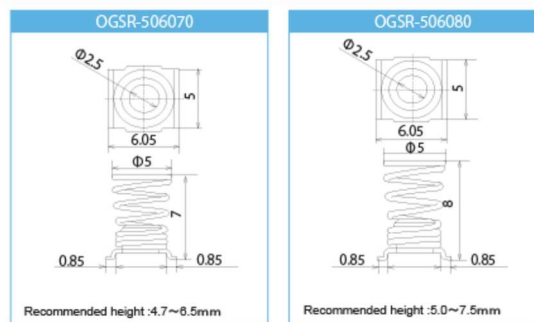
Kitagawa series: OGSR



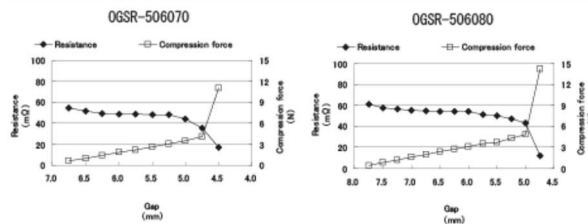
- For grounding against vibrations and repeated compressions.
- Suited for wide range of applications and uses.

Part Number	Recommended height
OGSR-506070	4.7~6.5mm
OGSR-506080	5.0~7.5mm

Dimensions (mm)



Characteristics between Compression Force and Resistance



Material

Piano Wire ($\Phi 0.45$) (Au plating)

Brass (t=0.3mm) (Sn reflow plating)