

SMD SPRING CONTACTS

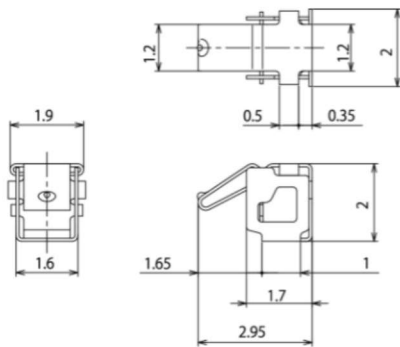
Kitagawa series: OGSC-(T) and OGSC-(B)



- Designed for vertical earthing
- Ideally suited for use in small designs.
- Operating Temperature: -40°C to +125°C.

Item	OGSC-T-302020	OGSC-B-302020
Applications	Ground contact for SMD	Ground contact for SMD
Material	Corson alloy (t0.08mm)	Corson alloy (t0.08mm)
Surface Treatment	SN reflow plating (underlying Cu plating)	SN reflow plating (underlying Cu plating)
Recommended Operating Temperature °C	-40 ~ 125	-40 ~ 125
Compression Range (mm)	-0.3 ~ 1.0	-0.3 ~ 1.0
Initial Resistance (Ω)	≤0.05	≤0.05
Initial Compression Force (N)	0.2 ~ 3.1	0.4 ~ 3.0

DIMENSIONS (mm)



Heat cycle test

