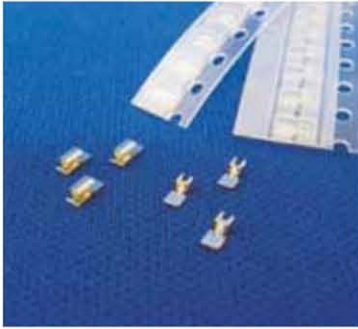


ON-BOARD CLAMP/OGC



Compact cables clamps applicable to automated mounting on PC board.

Feature

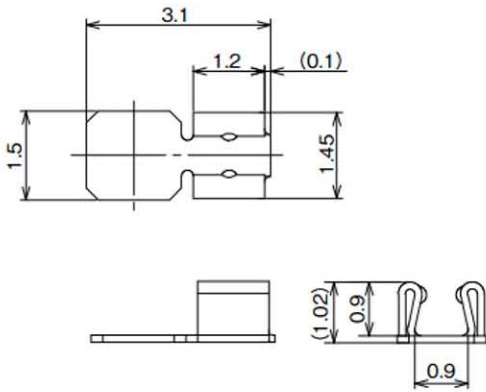
- Supporting wire harness on PC board.
- Side and top insertion types are available.

Material

- Phosphor bronze for spring (Sn reflow plating)

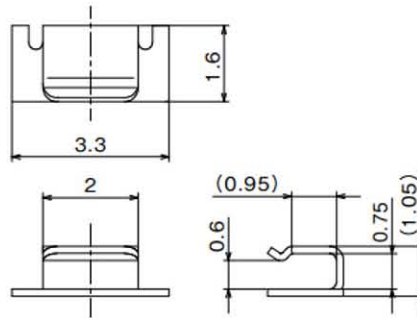
OGC-311510U

Applicable harness diameter: $\varnothing 0.8$



OGC-331610

Applicable harness diameter: $\varnothing 0.8$



Unt: mm

Please confirm "Notes for Onboard series" on page 2 prior to purchase.