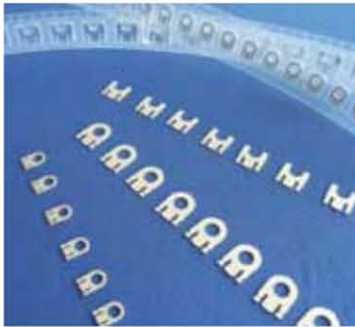


ON-BOARD LUG TERMINAL / OG-R



Secure contact of screwed area

Feature

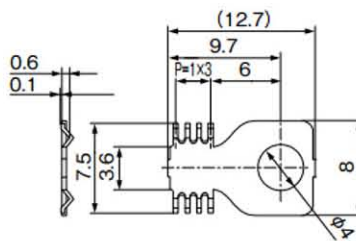
- FG reinforcement and reliable contact are achieved.
- Prevention of screw loosening caused by vibration.
- OG-RM is a space-saving fully-flat shape.
- OG-RM30HF provides even further space saving.

Material

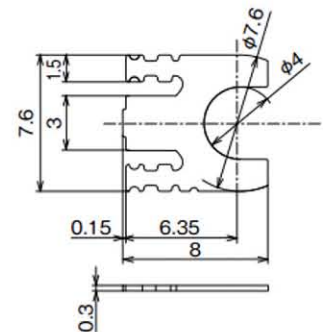
- Tough pitch copper* (Sn plating)
- ※ OG-RM26 is made of brass.



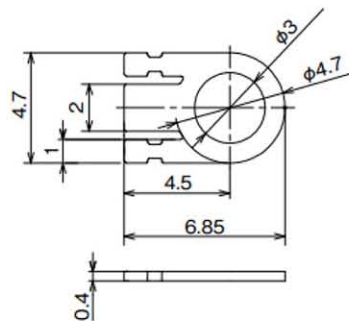
OG-R30 SN



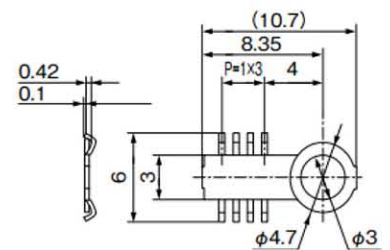
OG-RM30HF



OG-RM26



OG-R26 SN



Unit:mm