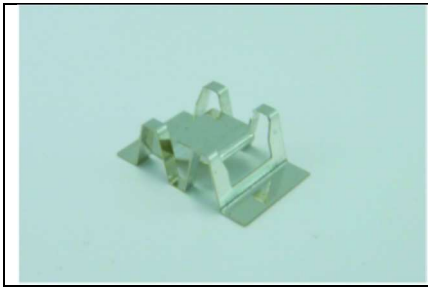


ON-BOARD SHEILD GUIDE

Kitagawa series: **OG-865028**

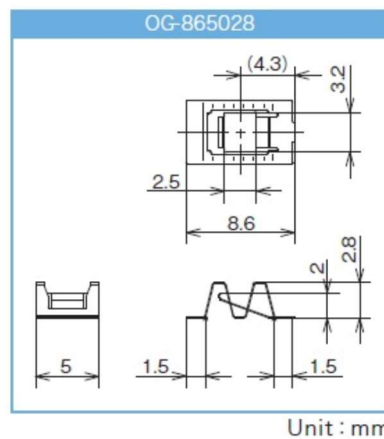


- Allows easy installation of shielding cans.
- Can be used on corners of shielding cans.
- Enables greater effectiveness of shielding cans.

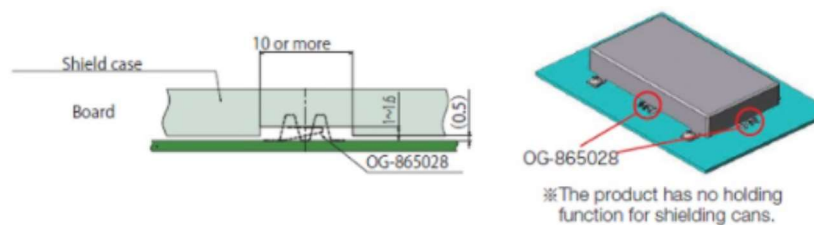
Material

Part Number	Material	Applicable plate thickness
OG-865028	Phosphor bronze for spring (Sn reflow plating)	T=1.9 or less

Dimensions (mm)



Installation Specifications



The product offers no holding function for shielding cans.