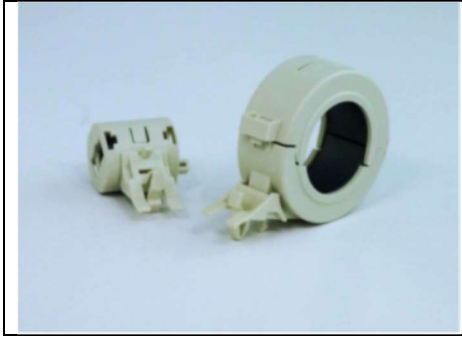


TOROIDAL SPLIT FERRITE CORE

Kitagawa series: **GTFCR**



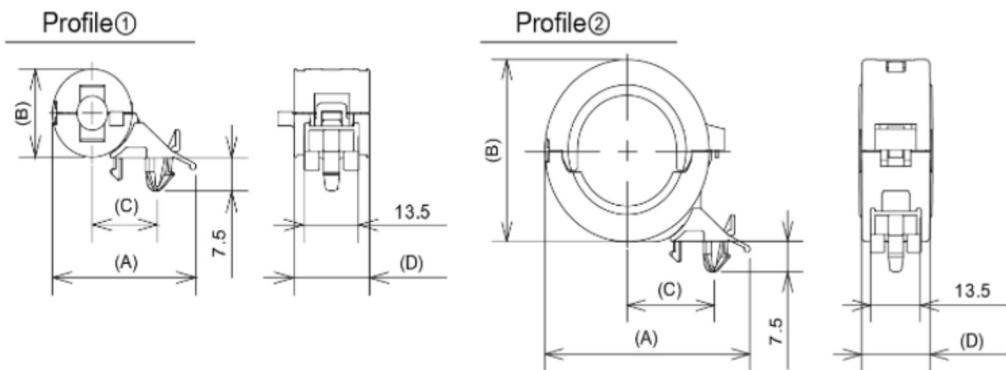
- Toroidal design enables cables to turn easily.
- Wire guiding system prevents wires becoming pinched.
- Mounting feature enables ferrite to be fixed to chassis.

Material: Ferrite core: Soft ferrite core

Housing: PA66 (Colour: light grey/flammability: UL94-V-0)

Part Number	Profile	Applicable cable diameter	A	B	C	D	Impedance $\Omega/100\text{MHz}$ (1 turn)
GTFCR-16-8-16	1	Max $\varnothing 7.2$	35.8	20.1	16.3	21.9	≥ 55
GTFCR-41-27-16	2	Max $\varnothing 26$	55.2	44.5	23.6	19.6	≥ 50

Dimensions in mm



Mounting Hole

