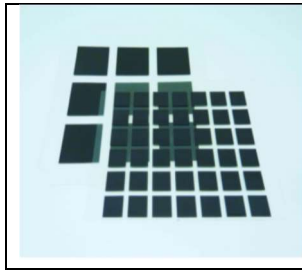


# FLEXIBLE FERRITE SHEET

## Kitagawa series: FFS

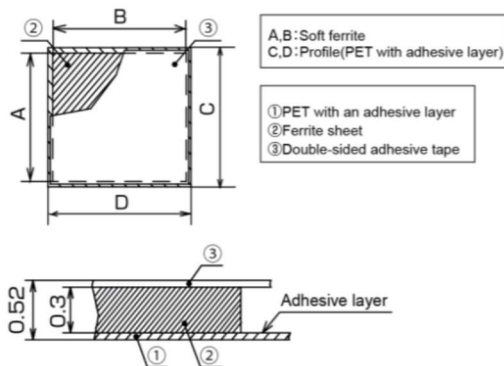


- Better insulation properties compared to EMI sheets.
- Supplied with double sided adhesive tape.
- Cut to standard IC sizes.

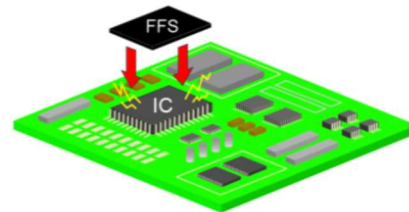
### Material

- PET with adhesive layer PET.
- Ferrite sheet.
- Double sided adhesive tape.

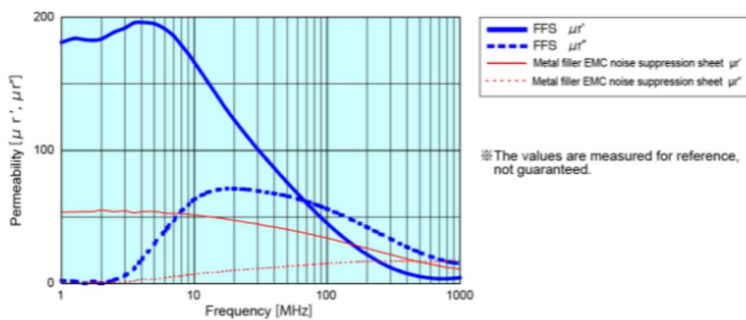
Part Number	A	B	C	D
FFS-0.3-1010T	10	10	11.5	11.5
FFS-0.3-1020T	10	20	11.5	21.5
FFS-0.3-1515T	15	15	16.5	16.5
FFS-0.3-2020T	20	20	21.5	21.5
FFS-0.3-2030T	20	30	21.5	31.5
FFS-0.3-2525T	25	25	26.5	26.5
FFS-0.3-3030T	30	30	31.5	31.5
FFS-0.3-5050T	50	50	55	55



### Application



### Properties



### Mounting onto IC device



Gently bend the liner whilst removing the sheet.