

## FLOATING FLOOR MOUNT

Series: TSC



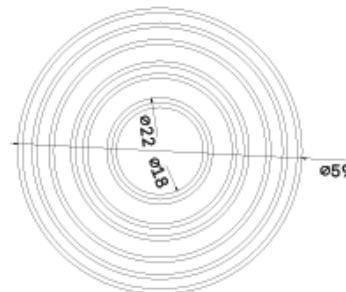
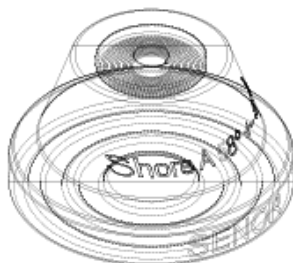
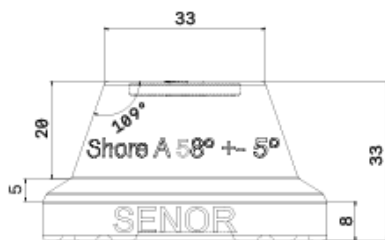
- Three ring base limits movement and grips unit to floor.
- Trapezium design improves elasticity of the system.
- Excellent soundproofing performance.
- Easy and fast installation.
- Greater performance compared to EPDM and other polymers.
- Optimal load: 5kg to 65kg per mount.
- Suited for acoustic floors and inertia bases.

### MATERIAL

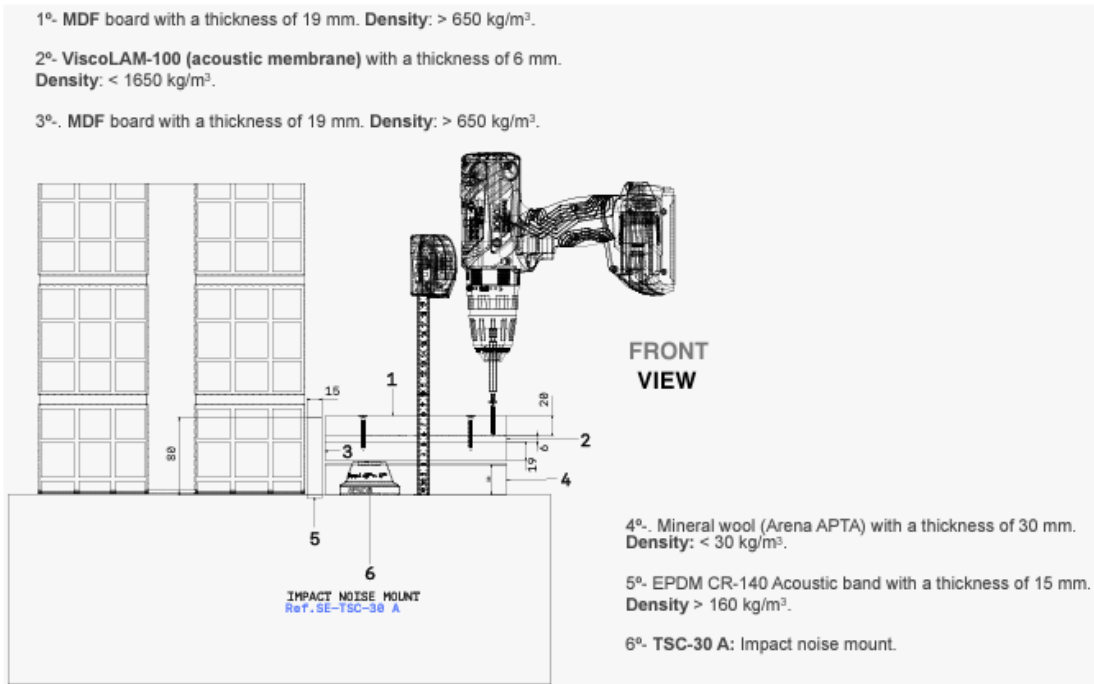
- Polymer Body: Kraiburg TPE

Part Number	Optimal Load per mount (kg)	Material Colour	Break Test	Material Properties
TSC-20-V	5 ~ 20	Green	-	<a href="#">PDF</a>
TSC-30-A	15 ~ 40	Blue	-	<a href="#">PDF</a>
TSC-50-R	35 ~ 65	Red	<a href="#">PDF</a>	<a href="#">PDF</a>

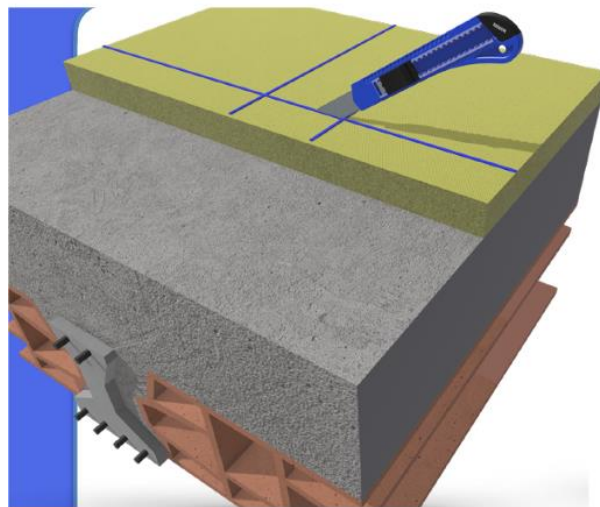
Resonance Frequency: 7-15Hz



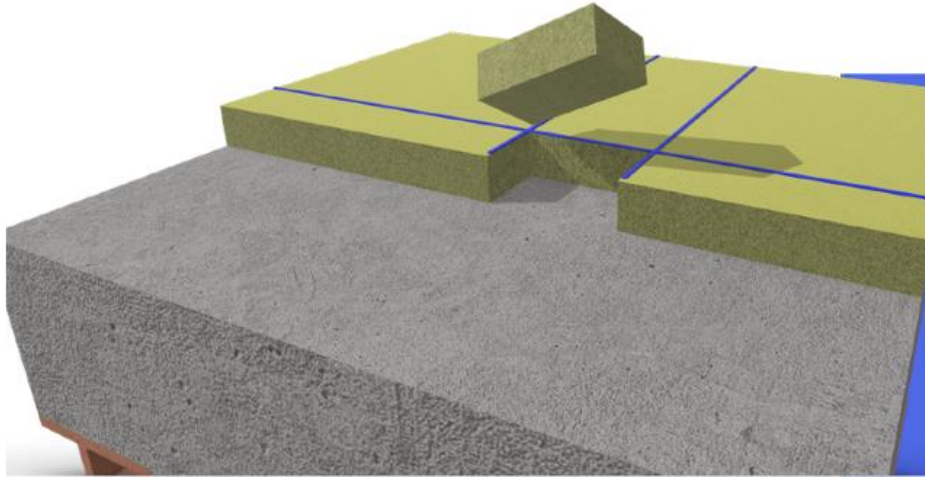
INSTALLATION GUIDE



STEP 1



STEP 2



STEP 3

