

INDUSTRIAL A.V MOUNTS

Series: SF-TBF



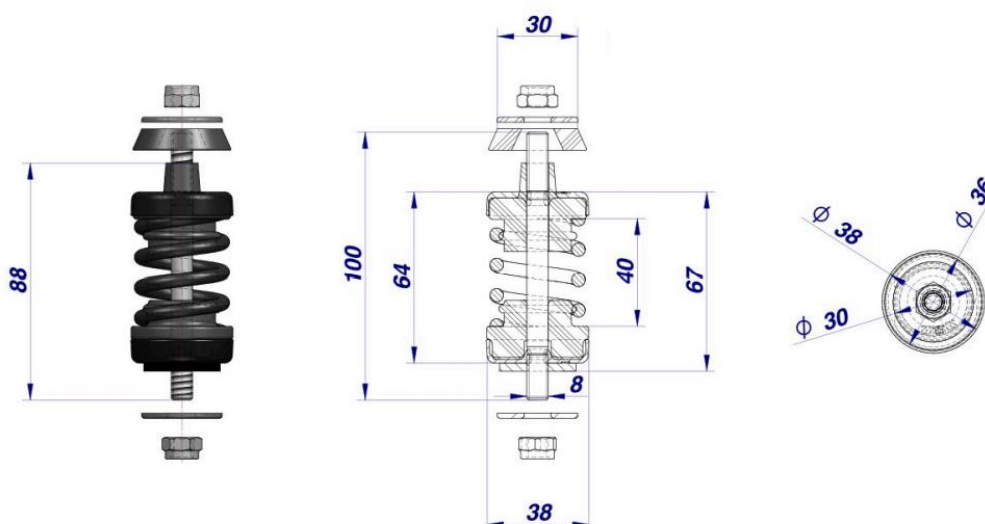
- Protects from vibrations and impact from frequencies ≥ 450 rpm.
- Special thermoplastic elastomer offers excellent weather resistance and slow aging.
- Optimal load: 5kg to 120kg per mount.
- Anti-roll system prevents machine falling over during extreme weather.
- All parts supplied with washers and nuts.
- Typically used for supporting domestic AC units.

MATERIAL

- Polymer Body: Kraiburg-TPE/TC3GPN
- Locking screws 8x26: Zinc galvanised steel
- Wide flange washer DIN-9021: Zinc galvanised steel
- Self-locking nut DIN-985 C.6: Zinc galvanised steel

[ENGINEERING DRAWING](#)

Part Number	Colour	Weight Range per Mount (Kg)	Material Properties
SE-TBF-20-G	Grey	5 ~ 20	PDF
SE-TBF-45-V	Green	21 ~ 45	PDF
SE-TBF-75-A	Blue	46 ~ 75	PDF
SE-TBF-120-R	Red	76 ~ 120	PDF



APPLICATION EXAMPLES

