


HVAC ANTI-VIBRATION MOUNTS

Series: SE-C

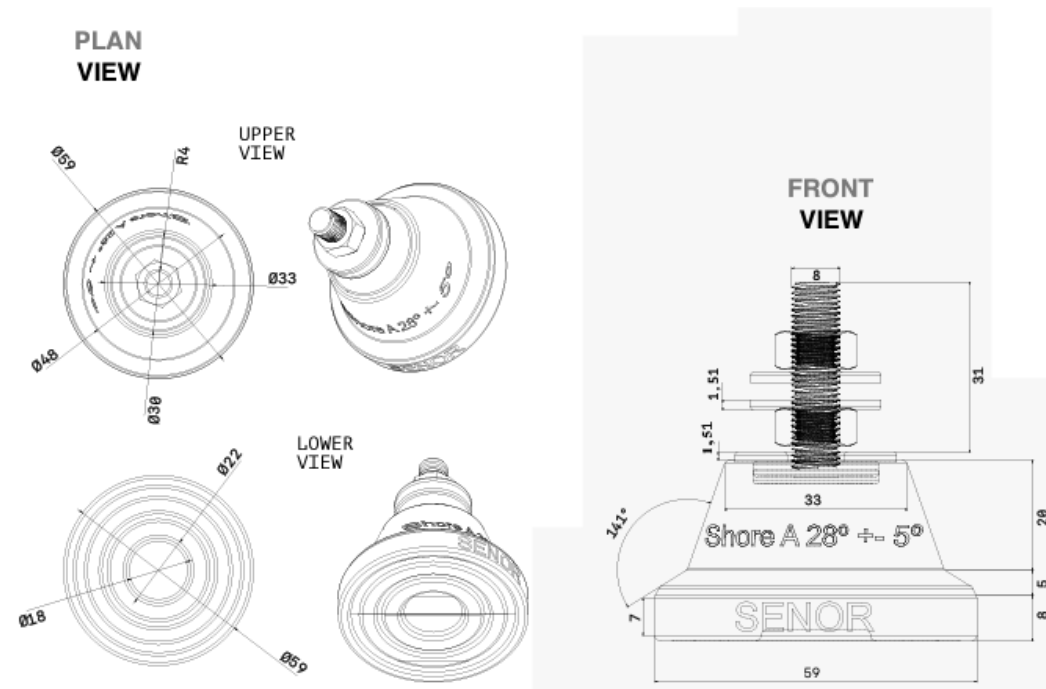
	<ul style="list-style-type: none"> • Suited for use in medium-high frequency range (above 1250rpm). • Special thermoplastic elastomer offers excellent weather resistance and slow aging. • Optimal load: 5kg to 50kg per mount. • Ergonomic design allows better axial compression. • All parts supplied with nuts and washers. • Typically used for supporting externally mounted HVAC units.
---	---

MATERIAL

- Polymer Body: Kraiburg-TPE/TC3GPN
- Locking screws 8x26: Zinc galvanised steel
- Wide flange washer DIN-9021: Zinc galvanised steel
- Self-locking nut DIN-985 C.6: Zinc galvanised steel

[ENGINEERING DRAWING](#)

Part Number	Colour	Weight Range per Mount (Kg)	Performance Data
SE-CG-10	Grey	5 ~ 10	PDF
SE-CV-20	Green	10 ~ 20	PDF
SE-CA-30	Blue	20 ~ 30	PDF
SE-CR-50	Red	30 ~ 50	PDF



Material Properties

Item	SE-CG-10	Test Method
Manufacturer/material	Kraiburg – TC3GPN	-
Series	GP/FG	-
Colour	Grey	-
Hardness (Shore A)	28°±5	DIN ISO 7619-1
Density (g/cm ³)	1.100	DIN EN ISO 1183-1
Tensile Strength (MPa)	5.0	DIN 53504/ISO 37
Elongation at break (%)	750	DIN 53404/ISO 37
Tear Resistance (N/mm)	14.0	ISO 34-1 Method B (b) Graves)
CS 72 h/23°C (%)	10	DIN ISO 815-1 Method A
CS 24 h/70°C (%)	26	DIN ISO 815-1 Method A
CS 72 h/100°C (%)	66	DIN ISO 815-1 Method A

Item	SE-CV-20	Test Method
Manufacturer	Kraiburg – TC4GPN	-
Series	GP/FG	-
Colour	Green	-
Hardness (Shore A)	39°±5	DIN ISO 7619-1
Density (g/cm ³)	1.100	DIN EN ISO 1183-1
Tensile Strength (MPa)	6.5	DIN 53504/ISO 37
Elongation at break (%)	800	DIN 53404/ISO 37
Tear Resistance (N/mm)	14.0	ISO 34-1 Method B (b) Graves)
CS 72 h/23°C (%)	12	DIN ISO 815-1 Method A
CS 24 h/70°C (%)	23	DIN ISO 815-1 Method A
CS 72 h/100°C (%)	59	DIN ISO 815-1 Method A

Item	SE-CA-30	Test Method
Manufacturer	Kraiburg – TC5EXN	-
Processing Method	Extrusion/Injection Moulding	-
Colour	Blue	-
Hardness (Shore A)	46°	DIN ISO 7619-1
Density (g/cm ³)	1.176	DIN EN ISO 1183-1
Tensile Strength (MPa)	6.3	DIN 53504/ISO 37
Elongation at break (%)	825	DIN 53404/ISO 37

Item	SE-CR-50	Test Method
Manufacturer	Kraiburg – TC6EXN	-
Processing	Extrusion/Injection	-
Colour	Red	-
Hardness (Shore A)	58°±5	DIN ISO 7619-1
Density (g/cm ³)	1.190	DIN EN ISO 1183-1
Tensile Strength (MPa)	7.0	DIN 53504/ISO 37
Elongation at break (%)	675	DIN 53404/ISO 37
Tear Resistance (N/mm)	19.0	ISO 34-1 Method B (b) Graves)