

ACOUSTIC WALL CLIP

Series: FTD OMEGA ULTRA



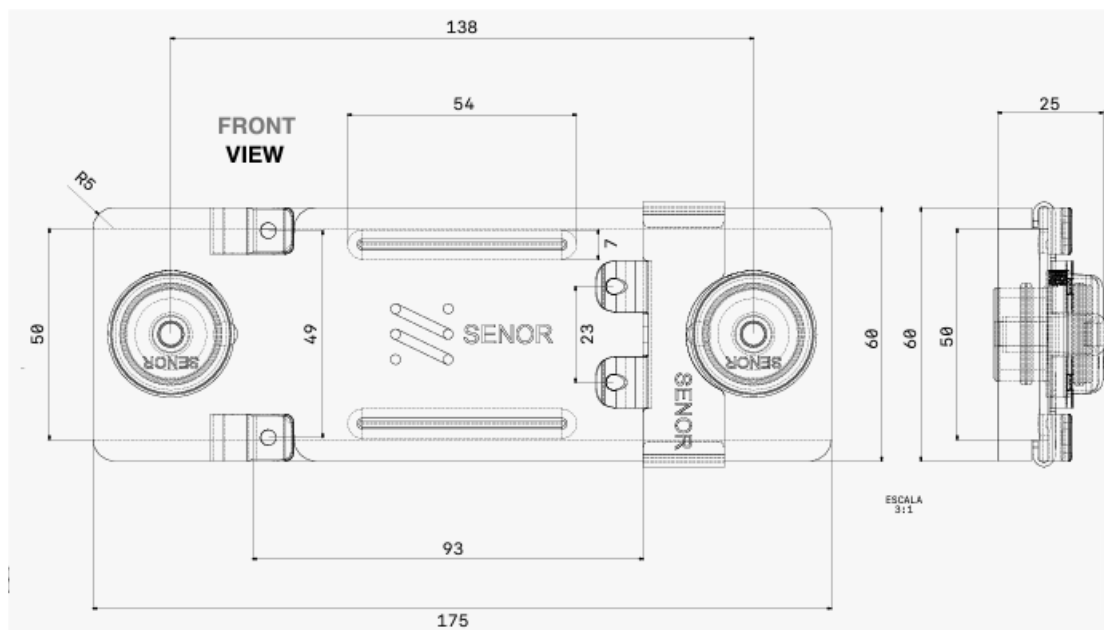
- Enables separation and isolation of wall lining systems.
- Acts as structure to fix plasterboard.
- Corrects unevenness in structure.
- Excellent soundproofing with minimum space needed.
- Adaptable locking device.
- Complies with acoustic standard ISO 10140.
- Optimal load: 5kg to 25kg per mount.
- Suited for acoustic wall & ceiling panels using Omega channels.

MATERIAL

- Polymer Body: Kraiburg TPE
- Metal structure: Galvanized Steel Dx54d+Z140 with EPDM backing.
- Bowl shaped leveller: Laminated steel DC04

Resonance Frequency: 7-15Hz

- [ACOUSTIC WALL TEST](#)
- [NON-ACOUSTIC WALL TEST](#)
- [TPE PROPERTIES](#)
- [ENGINEERING DRAWING](#)



When installing SE-FTD OMEGA ULTRA on a ceiling it is necessary to fix the omega profiles to the vibration mount with 9mm self-drilling screws.

INSTALLATION INSTRUCTIONS

