

## ACOUSTIC WALL CLIP

Series: FTD OMEGA

	<ul style="list-style-type: none"> <li>• Enables separation and isolation of wall lining systems.</li> <li>• Acts as structure to fix plasterboard.</li> <li>• Corrects unevenness in structure.</li> <li>• Reduces space needed for wall structure.</li> <li>• Complies with acoustic standard ISO 10140.</li> <li>• Optimal load: 5kg to 25kg per mount.</li> <li>• Suited for acoustic wall &amp; ceiling panels using Omega channels.</li> </ul>
---	--

### MATERIAL

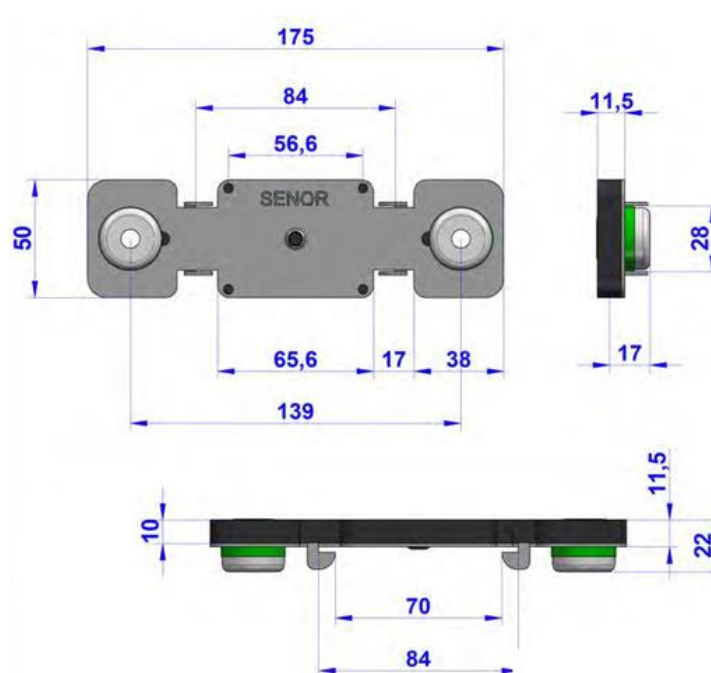
- Polymer Body: Kraiburg TPE
- Metal structure: Galvanized Steel Dx54d+Z140 with EPDM backing.
- Bowl shaped leveller: Laminated steel DC04

- [ACOUSTIC WALL TEST](#)

- [NON-ACOUSTIC WALL TEST](#)

- [TPE PROPERTIES](#)

- [ENGINEERING DRAWING](#)



If installing FTD OMEGA damper on a ceiling it is necessary to fix the acoustic mount to the OMEGA channel using 9mm self-drilling screws.