


ACOUSTIC HANGER

Series: FTD-MINI 47



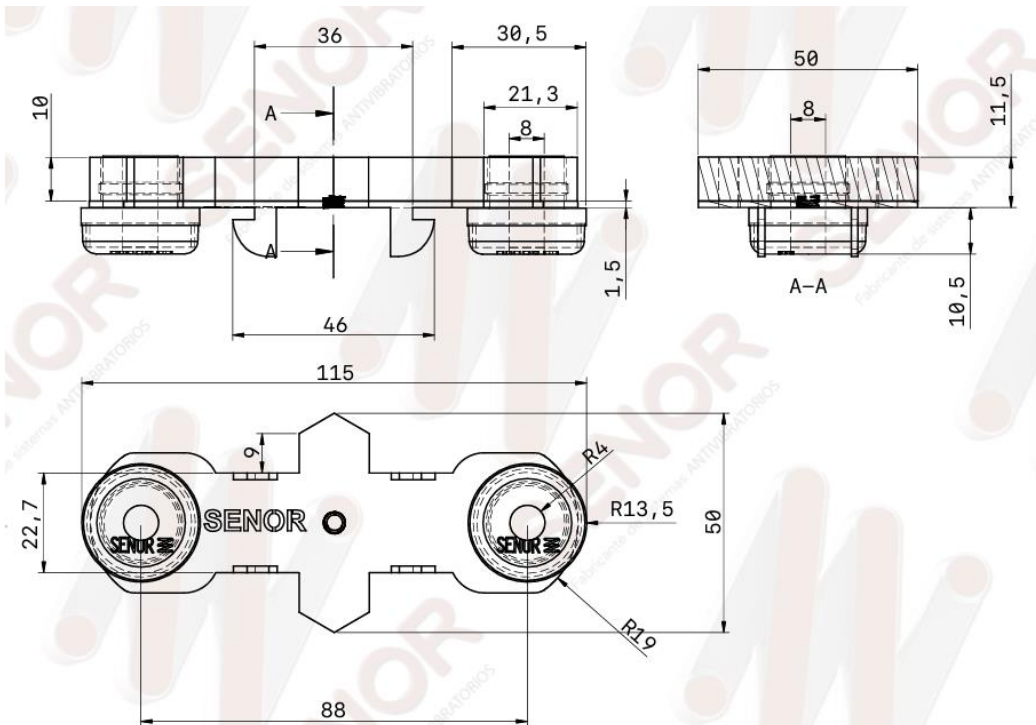
- Ultra-thin profile for small spaces.
- Reduces airborne noise by >12dba.
- Increases acoustic performance by >10DBas.
- Unique Clip Stop enhances performance and safety.
- Improves acoustic performance by >10%.
- Optimal load: 3kg to 25kg per mount.
- Suited for ceiling channels TC-45/48.

MATERIAL

- Polymer Body: Kraiburg TPE (Green colour)
- Metal structure: Galvanised steel Dx54d + Z140 with EPDM rubber backing
- Plating/clips: Galvanised steel Dx54d + Z140
- Bowl-shaped pieces: DC04 deep-drawn steel

Part Number	Weight Range per mount (Kg)	Break Test	Material Properties
FTD-MINI 47	3 ~ 25	PDF	PDF

Break Point: 132kg



INSTALLATION GUIDE

