


## ACOUSTIC HANGER

Series: PL-50



- Eradicates and attenuates noise and vibration above 20Hz.
- Tested to acoustic standard ISO 10846-1.
- Locking configuration holds structure in place in event of fire.
- Optimal load: 3kg to 45kg per mount.
- Suited for false acoustic ceilings using galvanized steel profiles such as STIL PRIM 50 (PLACOSA) or SR (KNAUF).

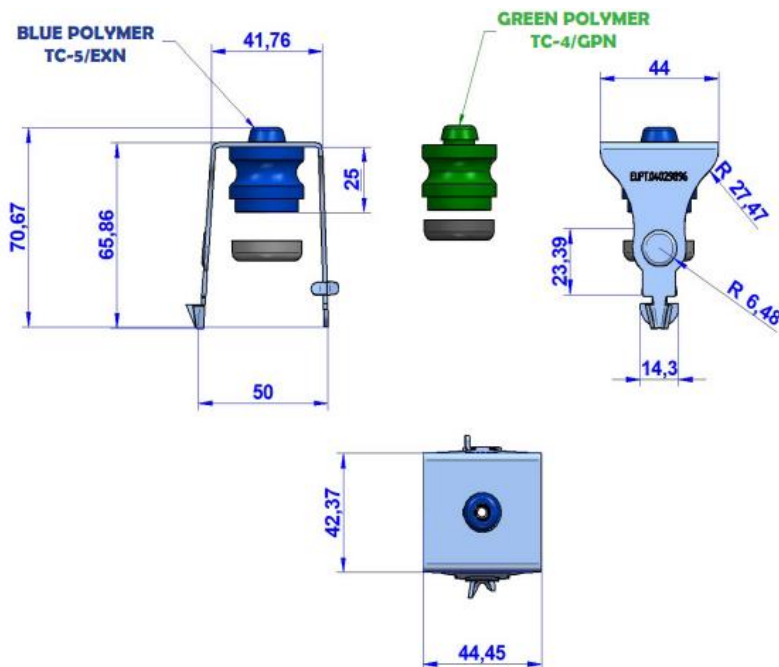
### MATERIAL

- Polymer Body: Kraiburg TPE
- Metal structure: Galvanised steel Dx54d + Z140
- Bowl shaped leveller: Galvanised steel Dx54d + Z140

Part Number	Colour	Thread Size	Weight Range per mount (Kg)	TPE Properties
SE-PL-50-V	Green	M6, M8	3 ~ 25	<a href="#">PDF</a>
SE-PL-50-A	Blue	M6, M8	20 ~ 45	<a href="#">PDF</a>

**Resonance Frequency:** 7-15Hz.

**Breaking Point:** 250kg



### Installation Instructions

