


ACOUSTIC HANGER

Series: HORQ CAB/DS2



- Simply twist to fasten in place.
- Does not require screws for installation.
- Ultra-fast levelling.
- Peak performance in low-mid frequency range >20Hz.
- Optimal load: 8kg to 50kg per mount.
- Suited for fitting to STIL PRIM 100 ceiling profiles.

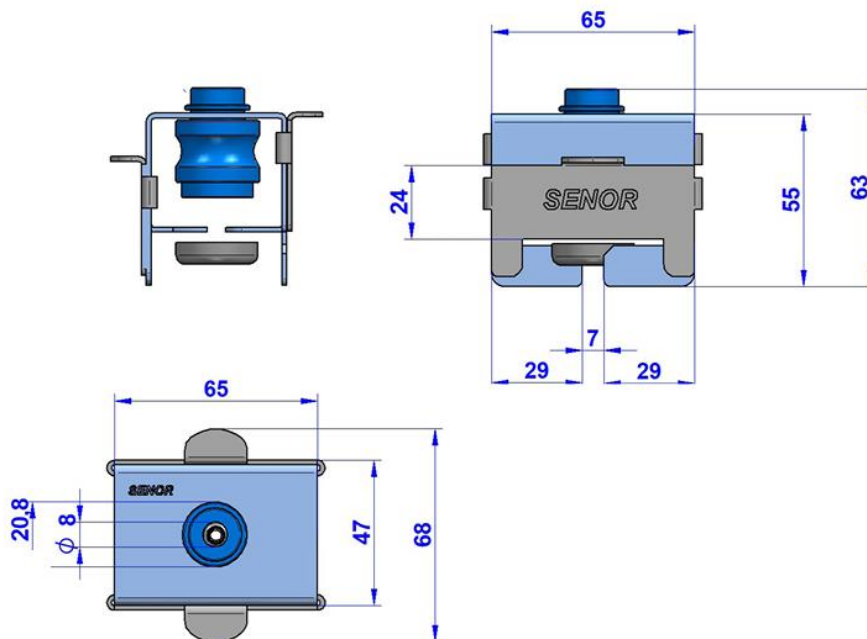
MATERIAL

- Polymer Body: Kraiburg TPE
- Metal structure: Galvanised steel Dx54d + Z140
- Bowl shaped leveller: Galvanised steel Dx54d + Z140

Part Number	Colour	Thread Size	Weight Range per mount (Kg)	TPE Properties
HORQ CAB/DS2 30V	Green	M6, M8	8 ~ 30	PDF
HORQ CAB/DS2 50A	Blue	M6, M8	27 ~ 50	PDF

Resonance Frequency: 7-15Hz.

Breaking Point: 250kg



For installation guide please contact our sales team.