


PARTITION WALL MOUNT

Series: 8600-02/TB3



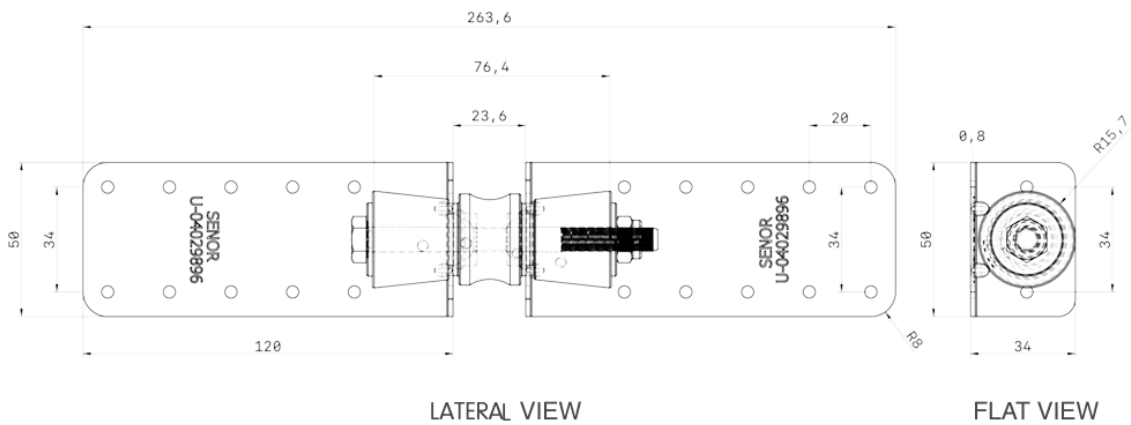
- Connects two separate structures together.
- Triple core allows brackets to work freely, improving dynamic behaviour.
- Multiple mounting holes allow fixation at different distances
- Control system allows compression in both directions.
- Steel brackets increases the tensional tensile strength.
- Good soundproofing properties.
- Optimal load: 5kg to 32kg per mount.

**MATERIAL**

- Polymer Body: Kraiburg TPE (Green)
- Metal bracket: Galvanised Steel DX51 + Z275 MA with zinc coating 300gr/m<sup>2</sup>
- [TPE PROPERTIES](#)
- [PERFORMANCE DATA](#)

**SE-8600-02-/TB3**

- Weight range – 5-30kg
- Resonance Frequency: 7-15Hz.



LATERAL VIEW

FLAT VIEW

METAL BRACKET

INSTALLATION GUIDE

STEP 1



STEP 2



STEP 3



STEP 4

