

PARTITION WALL MOUNT

Series: 7600-02/TB2



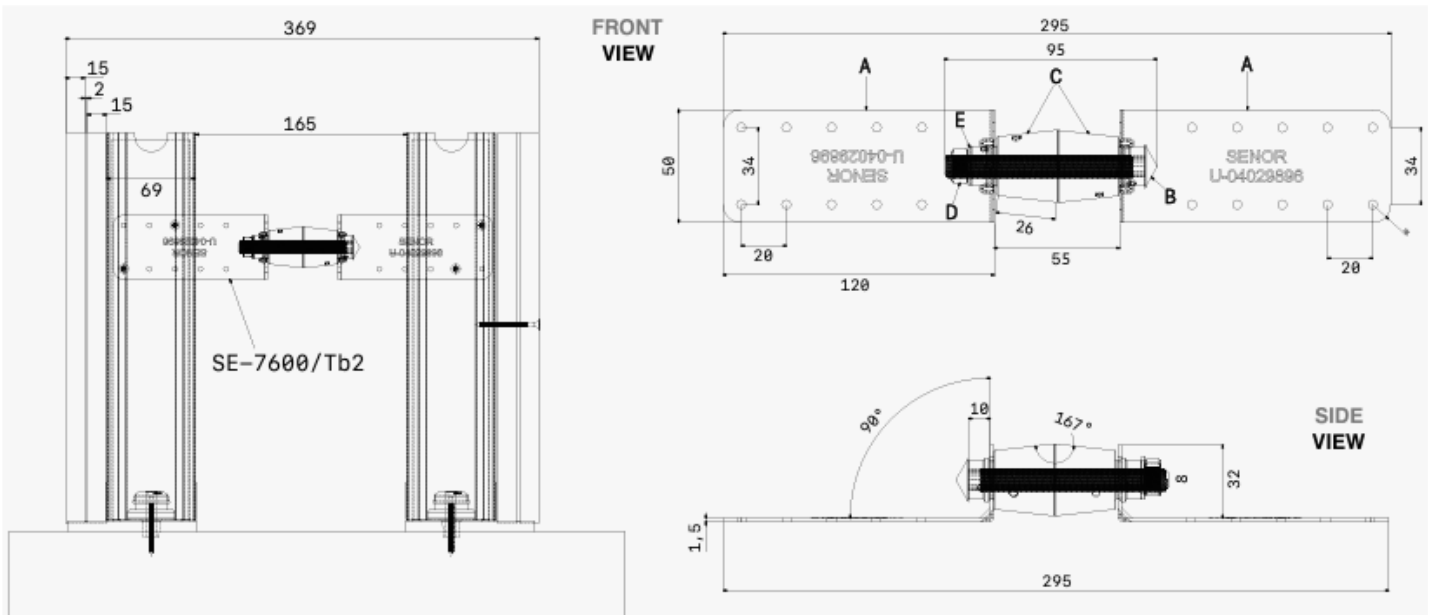
- Connects two separate structures together.
- Control system allows compression in both directions.
- Two bracket thickness available.
- Good soundproofing properties.
- Optimal load: 5kg to 32kg per mount.
- Suited for partition walls.

MATERIAL

- Polymer Body: Kraiburg TPE (Green Colour)
- Metal bracket: Galvanised Steel DX515D + Z275 MA.
- Screw: Zinc plated Cr+3 8x95 steel.
- Nut: DIN-934 A2 (M8) zinc steel
- [TPE PROPERTIES](#)

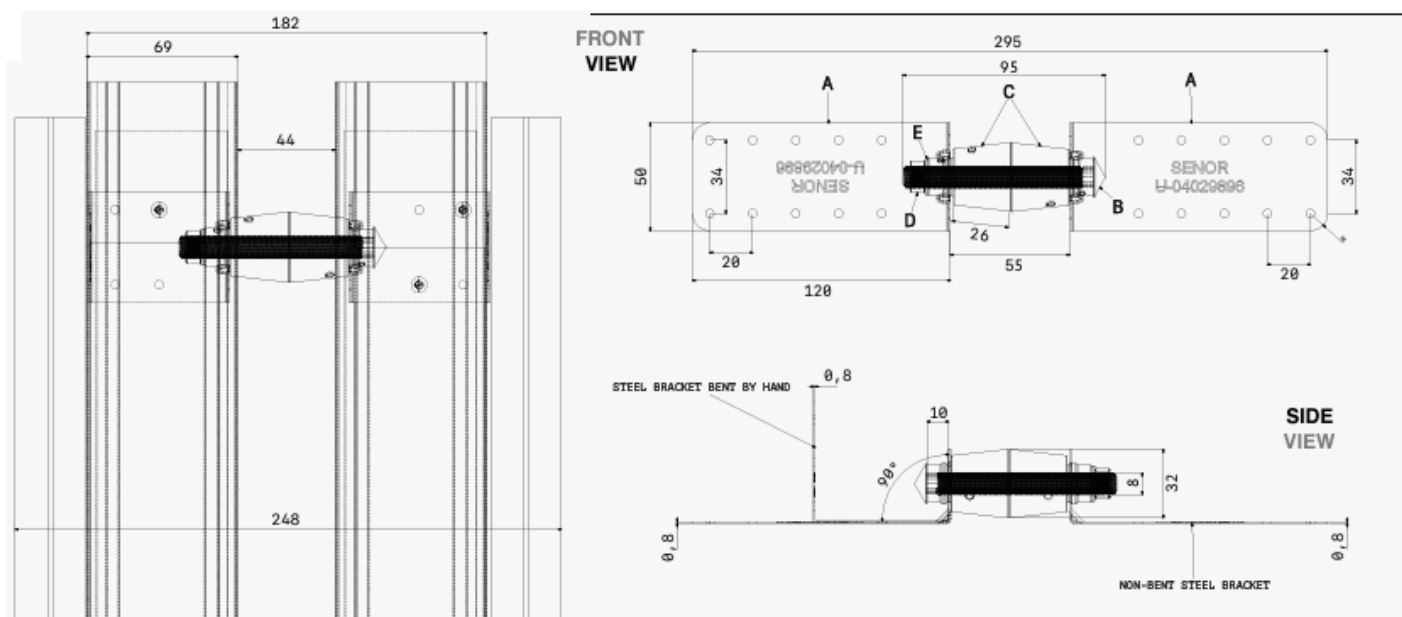
SE-7600-TB2

- Load range (C¹): Force moving away from wall – 5-15kg
- Load range (C¹): Force pressed against wall – 5-32kg
- Resonance Frequency: 7-15Hz.



SE-7602/TB2

- Load range (C¹): Force moving away from wall – 5-15kg
- Load range (C¹): Force pressed against wall – 5-32kg



APPLICATION EXAMPLE

